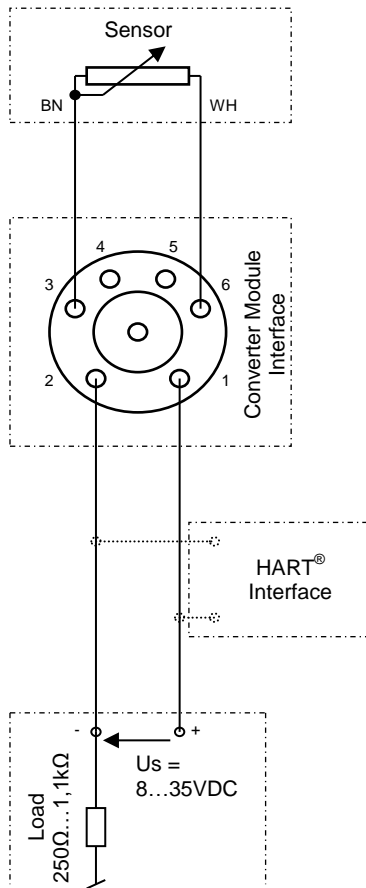
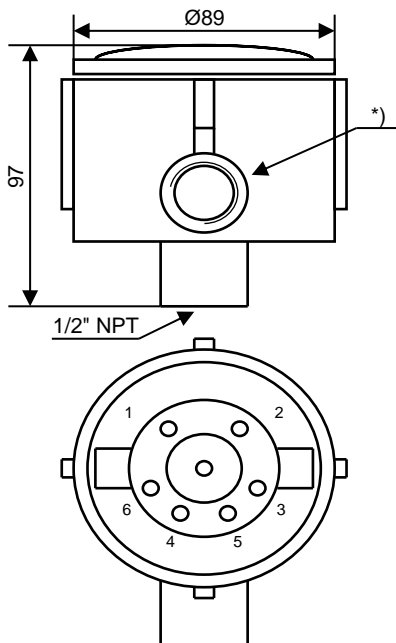


**External electrical connections**



**Dimensions**



IECEx KEM 10.0083X issue 3

**Description:**

**HART® converter module interface with 4...20mA current loop output, Flameproof enclosures for use in zone 1 and 2 and with WEKA Transmitter 29710-R-ND-xx**

The converter module interface attached to the float chamber generates a resistance output proportional to the liquid level inside the chamber. The interface converts this variable resistance into a 2-wire 4...20mA current output with superimposed HART® digital communication. Zero and range setting is done through the HART® communication channel. For high temperature applications, the converter module interface can be installed at a distance (up to 10m) away from the level indicator and transmitter.

**Product code** 38021

**Resolution** refer to [29710-R-ND-xx](#)

**Housing dimensions** Ø ~ 130mm x 97mm (height)

**Cable entry \*)** Threaded socket, M20 x 1.5 or 1/2"NPT

**Installation** Mounted on the level indicator (or at other suitably prepared location) using a hose clamp (84242) and coupling (20000710).

**Specifications**

Loop supply voltage	8 ... 35VDC
Voltage drop	8VDC
Isolation voltage	Test = 1.5kVAC; operation = 50VAC
Communication	Loop Link 5905 & HART®
Current loop output	4 - 20mA
Response time	440ms
Transmitter fault output	3.5mA or 23mA (programmable)
Input	0Ω (min.) to 7000Ω (max.)
Minimum span	25Ω
Lead wire resistance	Max. 5Ω
Transmitter current	0.2mA, nominal
Basic accuracy	≤ +/- 0,1%
Temperature coefficient	≤ +/- 5mΩ / °C
Zero offset	Max. 50% of selected span

**Operating temperature**

Media temperature	29710-R-ND-xx	-50°C ... +150°C
Ambient temperature (Ta)		-30°C ... +50°C
Operating temperature	(mounted on VLI)	-30°C ... +85°C
	(away from VLI)	< -30°C / > +85°C

**Enclosure**

IP68 - 10bar (EN60529)

**Materials**

Housing	Alu: grey, Ex d
Cable gland	Brass: nickel plated, PTB 00 ATEX 1059
- Seal	Perbunan (NBR)
- Cable compatibility	Ø ~ 7 ... 9mm; max. 2 x 1mm <sup>2</sup>
Type label	Polyester: silver, black printing

**Housing:**

CE 0722 Ex II 2GD Ex d IIC CESI 03 ATEX 059U

**Converter:**

II 3 GD Ex nA[nL] IIC T4...T6 or  
 II 3 GD Ex nL IIC T4...T6 or  
 CE 0344 Ex II 3 GD Ex nA[ic] IIC T4...T6 or  
 II 3 GD Ex ic IIC T4...T6  
**KEMA 03 ATEX 1508 X**