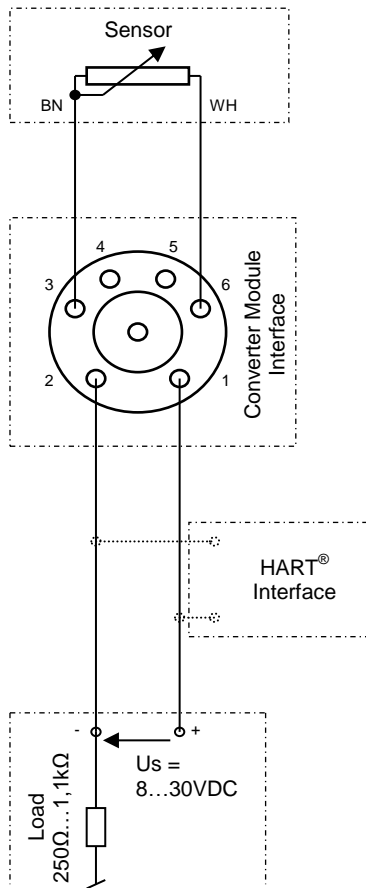
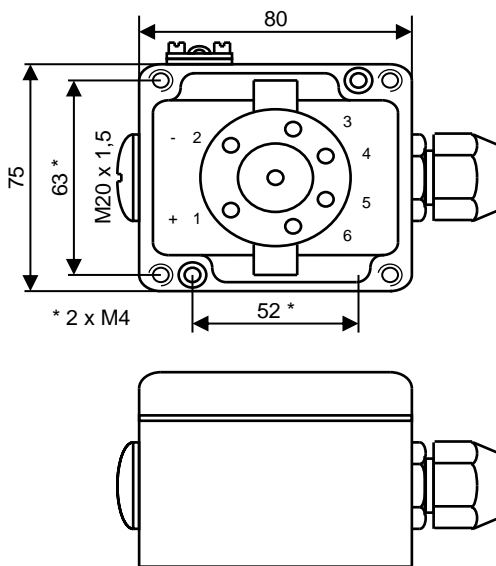


**External electrical connections**



**Dimensions**



**Description:**

**HART® converter module interface with 4...20mA current loop output, Intrinsically safe for use in zone 1 and 2 and with WEKA Transmitter 29710-R-NI-xx and 29710-R-W-010-xx**

The converter module interface attached to the float chamber generates a resistance output proportional to the liquid level inside the chamber. The interface converts this variable resistance into a 2-wire 4...20mA current output with superimposed HART® digital communication. Zero and range setting is done through the HART® communication channel. For high temperature applications, the converter module interface can be installed at a distance (up to 10m) away from the level indicator and transmitter.

**Product code**

**37384**

**Resolution**

refer to [29710-R-NI-xx](#) [29710-R-W-010-xx](#)

**Housing dimensions**

80 x 75 x 57mm

**Cable entry**

Threaded socket, M20 x 1.5

**Installation**

On mounting plate (860528) or at other suitably prepared location using 2 x M4 screws 52 x 63 mm diagonal spacing

**Specifications**

Loop supply voltage	8 ... 30VDC
Voltage drop	8VDC
Isolation voltage	Test = 1.5kVAC; operation = 50VAC
Communication	Loop Link 5905 & HART®
Current loop output	4 - 20mA
Response time	440ms
Transmitter fault output	3.5mA or 23mA (programmable)
Input	0Ω (min.) to 7000Ω (max.)
Minimum span	25Ω
Lead wire resistance	Max. 5Ω
Transmitter current	0.2mA, nominal
Basic accuracy	≤ +/- 0,1Ω
Temperature coefficient	≤ +/- 5mΩ / °C
Zero offset	Max. 50% of selected span

**Operating temperature**


Media temperature	29710-R-NI-xx	-50°C ... +150°C
	29710-R-W-010-xx	-50°C ... +350°C
Ambient temperature (Ta)	for T1, T2, T3, T4	-30°C ... +85°C
	for T5, T6	-30°C ... +60°C
Operating temperature	(mounted on VLI)	-30°C ... +85°C
	(away from VLI)	< -30°C / > +85°C

**Enclosure**

IP65 (EN60529)

**Materials**

Housing	Alu: blue, with grounding terminal
Cable gland	PA: blue; M20x1.5
- Seal	Perbunan (NBR)
- Cable compatibility	Ø 6 ... 8mm; max. 2 x 1mm <sup>2</sup>

CE 0344  II 1 G Ex ia IIC T4 or T6  
 II 1 D Ex iaD KEMA 03 ATEX 1537

**Electrical limit values**

Ui =	max. 30VDC
Ii =	max. 120mA
Pi =	max. 840mW
Ci =	≤ 1nF
Li =	≤ 10μH



**IECEx KEM 10.0083X issue 3**