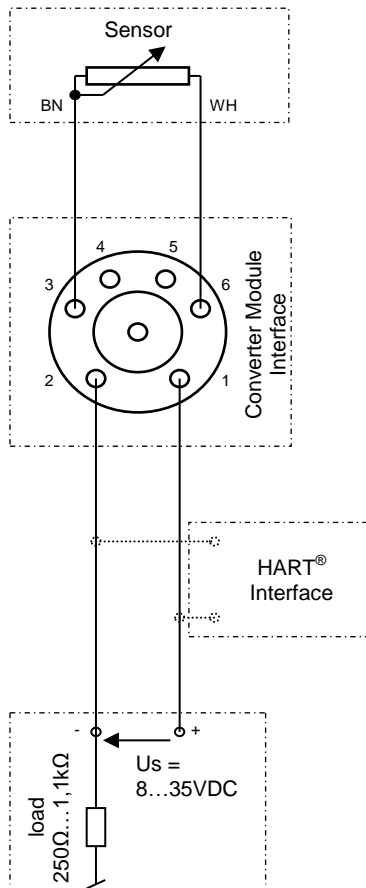
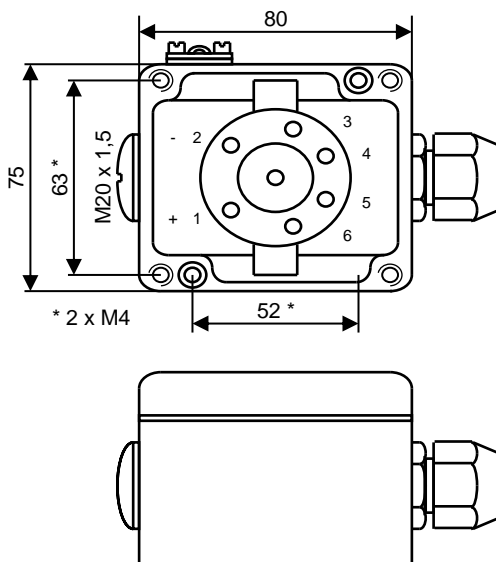


External electrical connections



Dimensions



Description:

HART® converter module interface with 4...20mA current loop output for use with WEKA Transmitter 29710-R-010-xx and 29710-R-W-010-xx

The converter module interface attached to the float chamber generates a resistance output proportional to the liquid level inside the chamber. The interface converts this variable resistance into a 2-wire 4...20mA current output with superimposed HART® digital communication. Zero and range setting is done through the HART® communication channel. For high temperature applications, the converter module interface can be installed at a distance (up to 10m) away from the level indicator and transmitter.

Product code

37383

Resolution

refer to [29710-R-010-xx](#) [29710-R-W-010-xx](#)

Housing dimensions

80 x 75 x 57mm

Cable entry

Threaded socket, M20 x 1.5

Installation

On mounting plate (860528) or at other suitably prepared location using 2 x M4 screws 52 x 63 mm diagonal spacing

Specifications

Loop supply voltage	8 ... 35VDC
Voltage drop	8VDC
Isolation voltage	Test = 1.5kVAC; operation = 50VAC
Communication	Loop Link 5905 & HART®
Current loop output	4...20mA
Response time	440ms
Transmitter fault output	3.5mA or 23mA (programmable)
Input	0Ω (min.) to 7000Ω (max.)
Minimum span	25Ω
Lead wire resistance	Max. 5Ω
Transmitter current	0.2mA, nominal
Basic accuracy	≤ +/- 0.1%
Temperature coefficient	≤ +/- 5mΩ / °C
Zero offset	Max. 50% of selected span

Operating temperature

Media temperature	29710-R-010-xx	-50°C ... +150°C
	29710-R-W-010-xx	-50°C ... +350°C
Ambient temperature (Ta)		-30°C ... +50°C
Operating temperature	(mounted on VLI)	-30°C ... +85°C
	(away from VLI)	< -30°C / > +85°C

Enclosure

IP65 (EN60529)

Materials

Housing	Aluminium: blue, with grounding terminal
Cable gland	PA: grey, M20x1.5
- Seal	Perbunan (NBR)
- Cable compatibility	Ø 3 ... 7mm; max. 2 x 1mm ²
Type label	Polyester: silver, black printing