

**Function:** Intrinsically safe transmitter with ATEX/IECEx certificate for use with WEKA VLI for media temperature  $\leq 150^{\circ}\text{C}$

The transmitter is mounted outside of the float chamber opposite to the indication rail (see datasheet 20010501).

The magnet inside the float activates the reed switches in the transmitter, depending on the level of liquid in the float chamber, thereby changing the effective value of a resistance network. The resulting voltage output is converted by an internal electronic circuit to a 4...20mA signal.

If the liquid level rises above the measuring range of the transmitter the output signal jumps to 115% and remains on that limit.

This transmitter is compatible with Zones 1, 2, 21 and 22 for gas groups IIA, IIB, IIC, IIIA, IIIB and IIIC.

The transmitter must be connected with a certified energy limiting device (e.g. Zener barrier) installed in a safe area. This device guarantees the electrical limit values specified below, including the cable. The metal housing of the transmitter must be connected to protection ground.

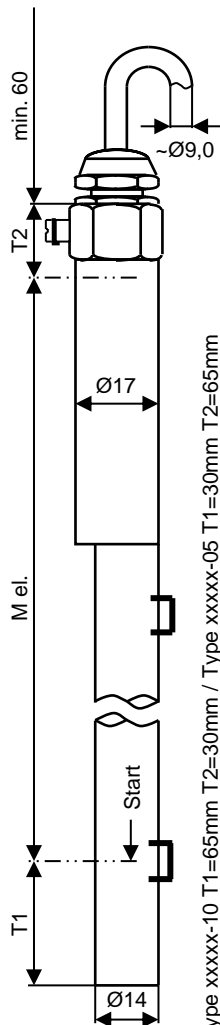
**Certificate**



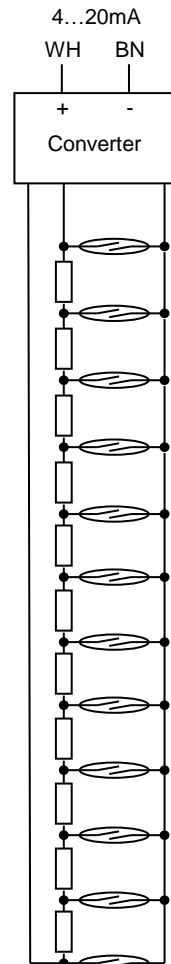
**II 2 G Ex ia IIC T4 Gb**  
**II 2 D Ex ia IIIC T115°C Db**

**SEV 17 ATEX 0104**  
**IECEx SEV 17.0001**

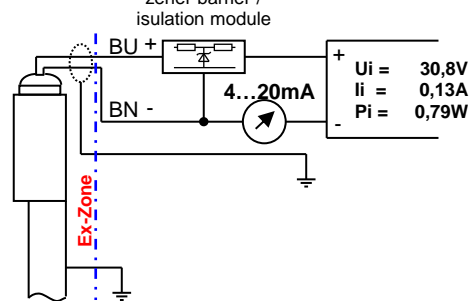
**Dimensions**



**Internal circuit**



**External electrical connections**



**Product code:**  
[For details see page 2](#)

**32607-NI-10**      **10mm resolution**  
**32607-NI-05**      **5mm resolution**  
**M el. = Measuring length in mm**

**Resolution**  
**Transmitter tube dia.**  
**Measuring length "M el."**

**32607-NI-10**      **32607-NI-05**  
10mm                      5mm  
Ø 14 / 10                      Ø 17 / 14  
200mm (min.) ... 4000mm (max.)

**Supply voltage**  
14VDC ... 30VDC

**Operating temperatures**

Media temperature	Ambient temperature	Temperature class
-50°C...+150°C	-50°C...+50°C	T4 (115°C)

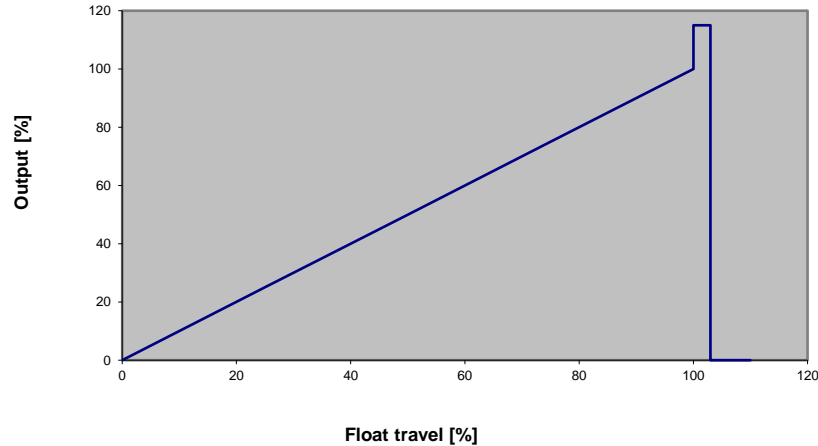
For dust explosion hazardous areas (D) the media temperature has to be considered instead of the surface temperature.

**Enclosure**

IP68 - 10bar (EN60529)

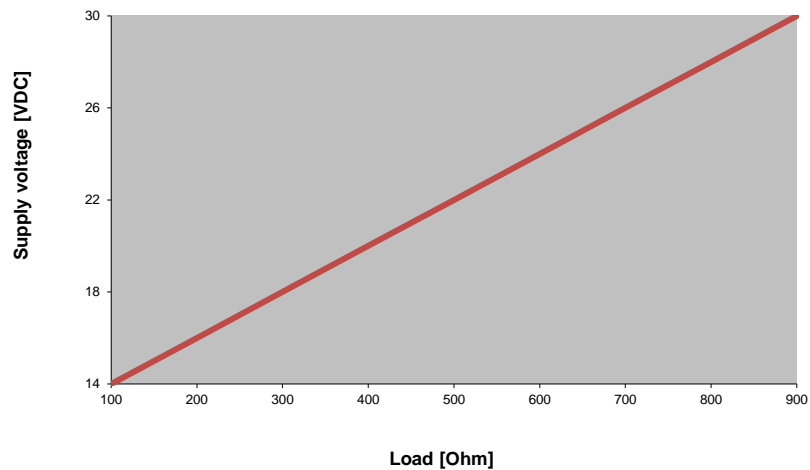
**Signal output**

4...20mA current loop



**Output load (including energy limiting device and cables)**

max. 100Ohm at 14VDC  
max. 900Ohm at 30VDC



**Materials**

Housing tube  
Cable gland  
- Seal  
Cable  
shielded (standard)

Stainless steel 316 / 316L  
Brass, nickel-plated  
PA / NBR



Type label

Stainless steel, lasered

5m, Silicone, black 2 x 1,0mm<sup>2</sup>, Ø ~9,0mm, largely resistant to oils/petroleum products, halogen-free

**Electrical limit values**

U<sub>max</sub> = 31VDC  
I<sub>max</sub> = 25mA

**Safety related limit values**

U<sub>i</sub> = max. 30,8V  
I<sub>i</sub> = max. 130mA  
P<sub>i</sub> = max. 790mW  
C<sub>i</sub> ≈ max. 49nF  
L<sub>i</sub> ≈ 0mH

**Fixation**

When ordering level indicators with transmitters, hose clamps are included.  
When ordering transmitters as spare parts, hose clamps are never included and must be ordered separately.  
In case of ordering hose clamps pipe size must be indicated.

For pipe diameter	30...40mm	P/O	80648
For pipe diameter	40...57mm and 57...80mm	P/O	84043

**Note**

Please read the instructions in our datasheet 20010501 before performing installation.  
This device is maintenancefree and repair work is prohibited.  
The cable must be durably installed.

The relevant certificates are available at [www.weka-ag.ch](http://www.weka-ag.ch) These information has to be considered additionally.