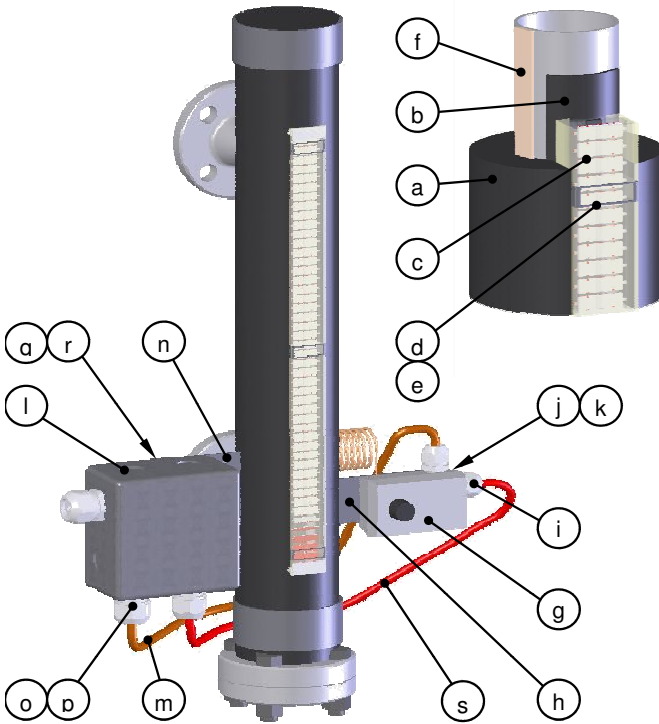


70 **Heat Tracing** (with Controller)



Applicable for types:

Standard Indicators (23614, 34300, 32755)
 High-Pressure Indicators (36800, 26411, 25683, 32806)
 Petro Indicators
 Plastic Indicators
 Top of Tank Indicators (based on 23614)

Technical data:

Liquid temperature 1*) -40 ... +60°C
 Temperature difference ΔT 2*) refer to diagram
 Relative humidity refer to diagram
 Ambient temperature -30 ... +40°C

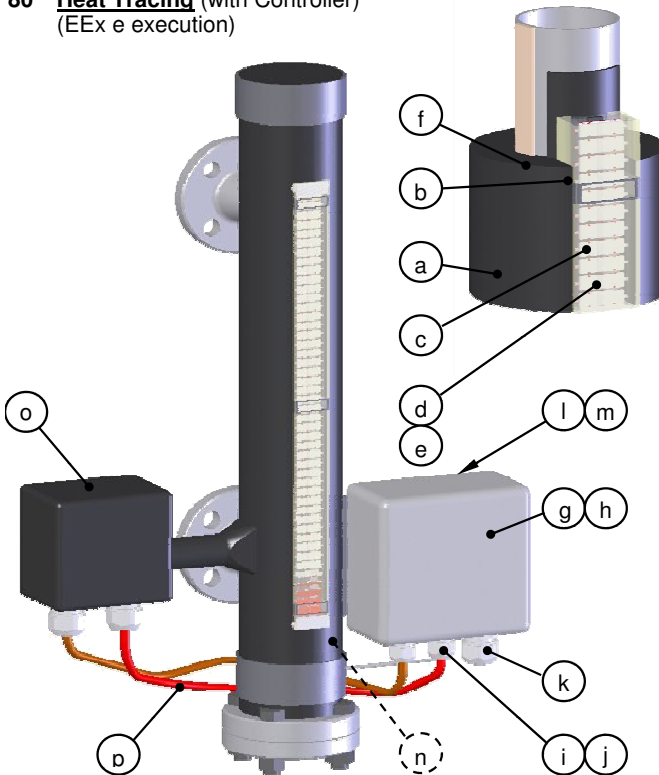
Material / Item No.

| | | |
|--------------------------------|---------------------|---------|
| a Insulation 3*) | Synthetic rubber | Various |
| b Insulation band (3xM+0,8m) | Synthetic rubber | 83174 |
| c Protection tube | Polyolefin | 80769 |
| d Retainer | 304 | 36625 |
| e Hose clamp 5*) | 304 | Various |
| f Heating cable RFEF | FEP | 85214 |
| g Temperature controller | PPO mod./316L | 84676 |
| h Mounting plate | 316/316L | 39825 |
| i Cable gland M16x1,5 (2x) | PA grey | 84637 |
| j Hexagonal screw M5x12 (2x) | A4 | 80539 |
| k Hexagonal nut M5 (2x) | A4 | 80631 |
| l Terminal box JB-82 | Polycarbonate, grey | 85212 |
| m Connection set C25-100 | - | 84771 |
| n Mounting plate | 316/316L | 36037 |
| o Cable gland M20x1,5 (2x) | PA grey | 85414 |
| p Counternut M20 (2x) | PA grey | 85415 |
| q Socket head screw M4x16 (4x) | A4 | 80573 |
| r Hexagonal nut M4 (4x) | A4 | 80630 |
| s Silicone cable red (0,65m) | - | 83413 |

Order data:

20060307/70

80 **Heat Tracing** (with Controller)
 (EEx e execution)



Applicable for types:

Standard Indicators (23614, 34300, 32755)
 High-Pressure Indicators (36800, 26411, 25683, 32806)
 Petro Indicators
 Plastic Indicators
 Top of Tank Indicators (based on 23614)

Technical data:

Liquid temperature 1*) -20 ... +50°C
 Temperature difference ΔT 2*) refer to diagram
 Relative humidity refer to diagram
 Ambient temperature 0 ... +40°C

Material / Item No.

| | | |
|---|----------------------------|---------|
| a Insulation 3*) | Synthetic rubber | Various |
| b Insulation band (3xM+0,8m) | Synthetic rubber | 83174 |
| c Protection tube | Polyolefin | 80769 |
| d Retainer | 304 | 36625 |
| e Hose clamp 5*) | 304 | Various |
| f Heating band 10BTV2-CR | PFA | 84674 |
| g Temperature controller - Type RAYSTAT-EX-04 | Polyester, stainless steel | 85213 |
| h Mounting plate | 316/316L | 39825 |
| i Cable gland M20x1,5 (2x) | PA grey | 85414 |
| j Counternut M20x1,5 (1x) | PA grey | 85415 |
| k Cable gland M25x1,5 (3x) | PA grey | 85426 |
| l Socket head screw M4x16 (4x) | A4 | 80573 |
| m Hexagonal nut M4 (4x) | A4 | 80630 |
| n Internal connection set E-03 | - | 84677 |
| o Terminal box JBS-100-E | FRP, black | 84675 |
| p Silicone cable red (0,65m) | - | 83413 |

Order data:

20060307/80

Comments:

- 1*) Liquid temperature range may be partially reduced due to temperature ratings of auxiliary devices (switch, transmitter, etc.)
- 2*) Difference between liquid temperature and ambient temperature
- 3*) Insulation jackets available various float chamber diameters
- 5*) Hose clamps available for various float chamber diameters