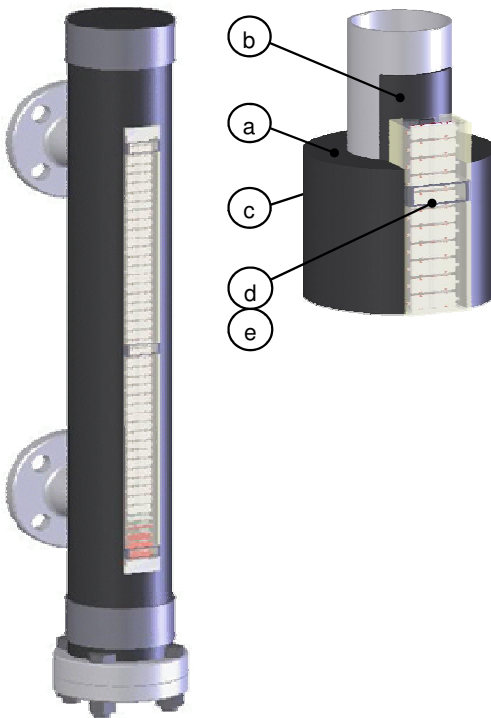


10 Single Layer Insulation



Applicable for types:

Standard Indicators (23614, 34300, 32755)
 High-Pressure Indicators (36800, 26411, 25683, 32806)
 Petro Indicators
 Plastic Indicators
 Top of Tank Indicators (based on 23614)

Technical data:

Liquid temperature 1*) -40 ... +120°C
 Temperature difference ΔT 2*) refer to diagram
 Relative humidity refer to diagram
 Ambient temperature -40 ... +90°C

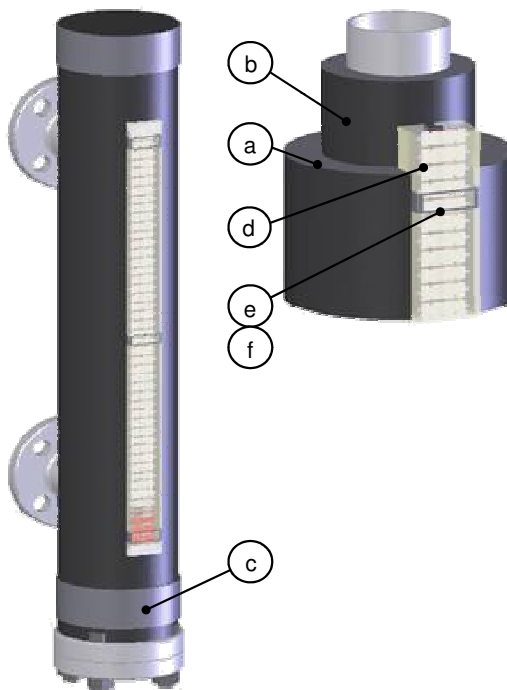
Material / Item No.

a Insulation 3*)	Synthetic rubber	Various
b Insulation band (3xM+0,8m)	Synthetic rubber	83174
c Protection tube	Polyolefin	80769
d Retainer	304	36625
e Hose clamp 5*)	304	Various

Order data:

20060307/10

20 Double Layer Insulation



Applicable for types:

Standard Indicators (23614, 34300, 32755)
 High-Pressure Indicators (36800, 26411, 25683, 32806)
 Petro Indicators
 Plastic Indicators
 Top of Tank Indicators (based on 23614)

Technical data:

Liquid temperature 1*) -40 ... +120°C
 Temperature difference ΔT 2*) refer to diagram
 Relative humidity refer to diagram
 Ambient temperature -40 ... +90°C

Material / Item No.

a Insulation 3*)	Synthetic rubber	Various
b Inner insulation 4*)	Synthetic rubber	Various
c Insulation band (3xM+0.8m)	Synthetic rubber	83174
d Protection tube	Polyolefin	80769
e Retainer	304	36625
f Hose clamp 5*)	304	Various

Order data:

20060307/20

Comments:

- 1*) Liquid temperature range may be partially reduced due to temperature ratings of auxiliary devices (switch, transmitter, etc.)
- 2*) Difference between liquid temperature and ambient temperature
- 3*) Insulation (thickness s=19mm) for different pipe-Ø available
- 4*) Inner insulation (thickness s = 13mm) only for double layer insulation
- 5*) Hose clamps available for various float chamber diameters

(For the 20060307/20 insulation assembly, the spacing between clamps is limited to 30cm to prevent bending of the indication rail)