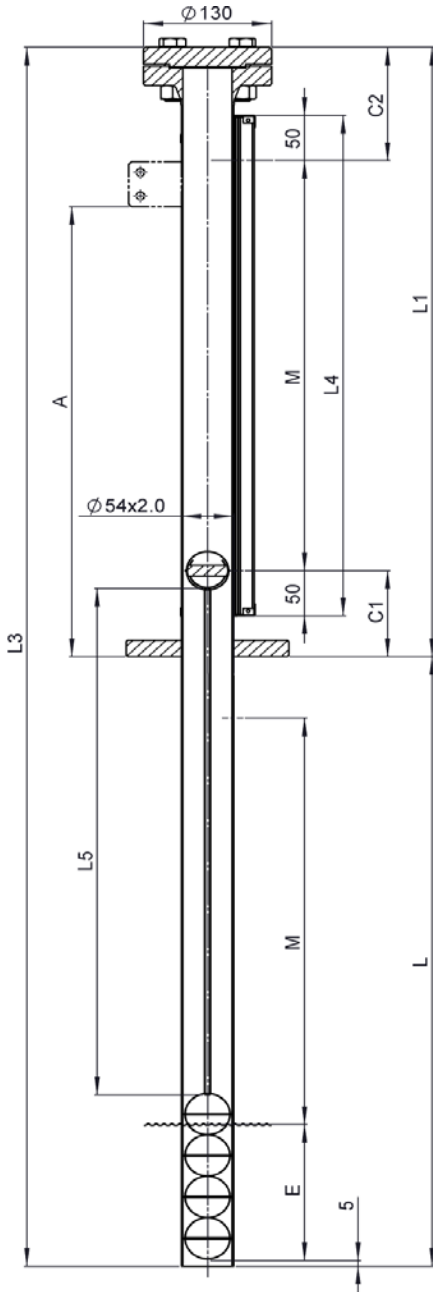


Top of Tank Line, SS

Type: 25270/50

Design meets the requirements of PED 2014/68/EU and harmonized standards



Purchase Order Data

Company:
Purchase order No.:
Quantity:

Project: _____
Tag No.: _____

Operating Conditions

Fluid:
Density: $\geq 0.75\text{g/cm}^3$ @ L5=500 g/cm3:
Viscosity: $\leq 600\text{cSt}$ cSt:
Operation pressure: max. 50bar(g)@20°C *1) bar(g):
Design pressure: " bar(g):
Operation temperature: -40°C ... +400°C *1) °C:
Design temperature: " °C:
Gaskets for top service connection: NBR / PTFE / Graphite

_____ g/cm3:
_____ cSt:
_____ bar(g):
_____ bar(g):
_____ °C:
_____ °C:
_____ -

Process Connections

Process flange EN1092-1:2013

- EN1092-1/01 A/DN50/PN63/316L
- Type A : with flat face

Special flange execution

Process flange ASME B16.5:2013

- ANSI/ASME B16.5 / 2" class 300 RFSF
- RF SF: with raised face

Standard

0
95
150
0
0
0
-

Special

0
0
0
0
-

Dimensions

Tank depth L
Length L1 (M + 245 mm)
C1
C2
Measuring length M (L - min. 200 mm)
Length L4 (M + 100 mm)
Connection pipe length L5
Immersion depth E

Design and Materials

Float chamber: 316&316L

Float: _____

Magnet holder: _____

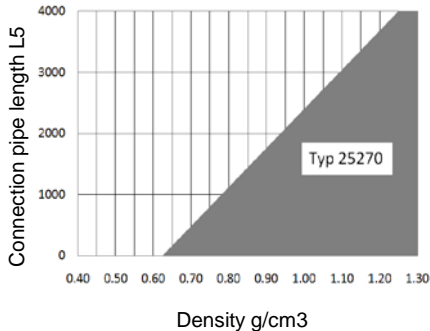
Indication Rail

PC, IP65 (<150°C)
PC, IP68, inert gas (<150°C)
Al/PC, IP54 (<250°C)
Al/Glass, IP54 (<400°C)
316L, IP67 (<250°C)
316L, IP67 (<400°C)
Special execution

Flaps: red-silver	No.: 34837	Standard
Flaps: red-silver	No.: 41008	
Flaps: red-silver	No.: 34560	
Flaps: black-silver	No.: 37100	
Flaps: red-silver	No.: 42403	
Flaps: black-silver	No.: 42404	
Flaps: _____	No.: _____	

Float Extension bottom / top

C1: 95 C2: 150
Standard



Accessories (refer to installation instructions 20010501)

Fixation bracket No. 26936:
Magnetic switch:
Transmitter: Resolution [mm]:
Electrical measuring length Mel [mm]:
Converter: Type:
Additional accessories:

Dim. "A" [mm]: _____
Quantity: _____ Type: _____
Resolution [mm]: _____ Type: _____
Type: _____

Test Reports and Certificates

EN10204:2004-3.1 main pressure-bearing parts according to PED

Special Executions & Additional Notes

Notes

*1) Refer to pressure-temperature rating! Lowest rating of any connecting flange or fitting and float chamber sets the limitation.
The test pressure PT is specified acc. to WEKA specifications AW 2.1.2.

All mentioned dimensions are in mm and are valid only for ToT standard executions.