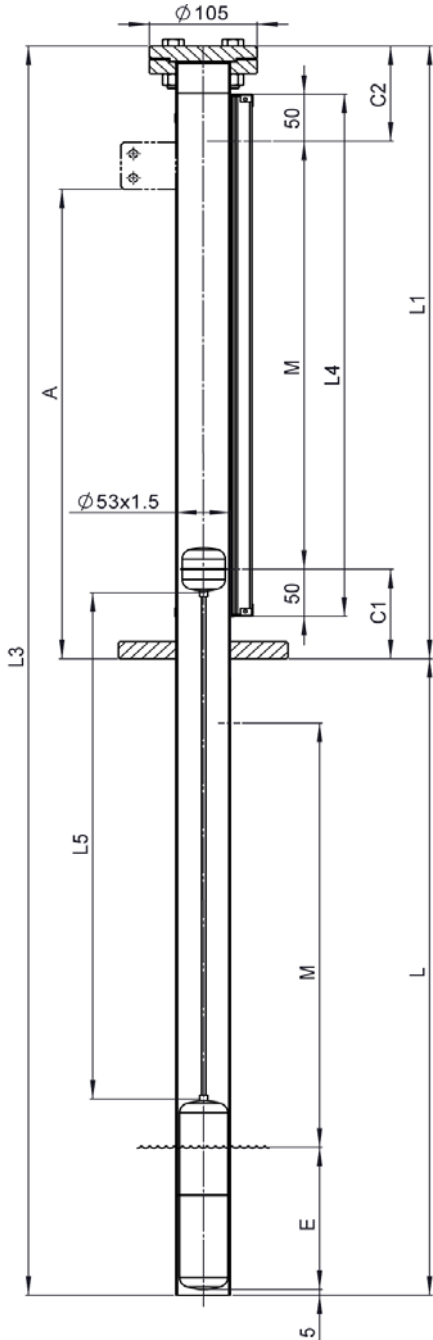


Top of Tank Line, SS

Type: 25270/28

Design meets the requirements of PED 2014/68/EU and harmonized standards



Purchase Order Data

Company:
Purchase order No.:
Quantity:

Project: _____
Tag No.: _____

Operating Conditions

Fluid:
Density: $\geq 0.55\text{g/cm}^3$ @ L5=500 g/cm3:
Viscosity: $\leq 600\text{cSt}$ cSt:
Operation pressure: max. 28bar(g)@20°C *1) bar(g):
Design pressure: " bar(g):
Operation temperature: -40°C ... +400°C *1) °C:
Design temperature: " °C:
Gaskets for top service connection: NBR / PTFE / Graphite

Process Connections

Process flange EN1092-1:2013

- EN1092-1/01 A/DN50/PN40/316L
- Type A : with flat face

Special flange execution

Process flange ASME B16.5:2013

- ANSI/ASME B16.5 / 2" class 300 RFSF
- RF SF: with raised face

Dimensions

Tank depth L
Length L1 (M + 245 mm)
C1
C2
Measuring length M (L - 200 mm)
Length L4 (M + 100 mm)
Connection pipe length L5 (L - 140 mm)
Immersion depth E

	Standard	Special	
Tank depth L	0		
Length L1 (M + 245 mm)	95		
C1	150		
C2	0	0	
Measuring length M (L - 200 mm)	0	0	
Length L4 (M + 100 mm)	0	0	
Connection pipe length L5 (L - 140 mm)	0	0	
Immersion depth E	-	-	-

Design and Materials

Float chamber: 316&316L

Float: _____

Magnet holder: _____

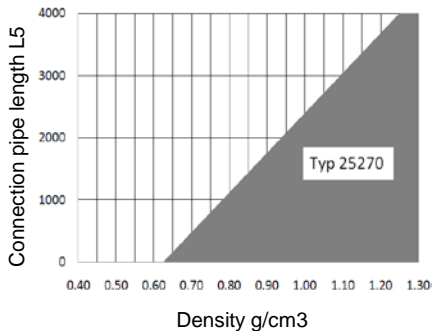
Indication Rail

PC, IP65 (<150°C)
PC, IP68, inert gas (<150°C)
Al/PC, IP54 (<250°C)
Al/Glass, IP54 (<400°C)
316L, IP67 (<250°C)
316L, IP67 (<400°C)
Special execution

Flaps:	No.:	Standard
red-silver	34837	
red-silver	41008	
red-silver	34560	
black-silver	37100	
red-silver	42403	
black-silver	42404	
Special execution	No.:	

Float Extension bottom / top

C1: C2:
Standard 95 150



Accessories (refer to installation instructions 20010501)

Fixation bracket No. 26936: Dim. "A" [mm]: _____
Magnetic switch: Quantity: _____ Type: _____
Transmitter: Resolution [mm]: _____ Type: _____
Electrical measuring length Mel [mm]: _____
Converter: Type: _____
Additional accessories: _____

Test Reports and Certificates

EN10204:2004-3.1 main pressure-bearing parts according to PED

Special Executions & Additional Notes

Notes

*1) Refer to pressure-temperature rating! Lowest rating of any connecting flange or fitting and float chamber sets the limitation. The test pressure PT is specified acc. to WEKA specifications AW 2.1.2.

All mentioned dimensions are in mm and are valid only for ToT standard executions.