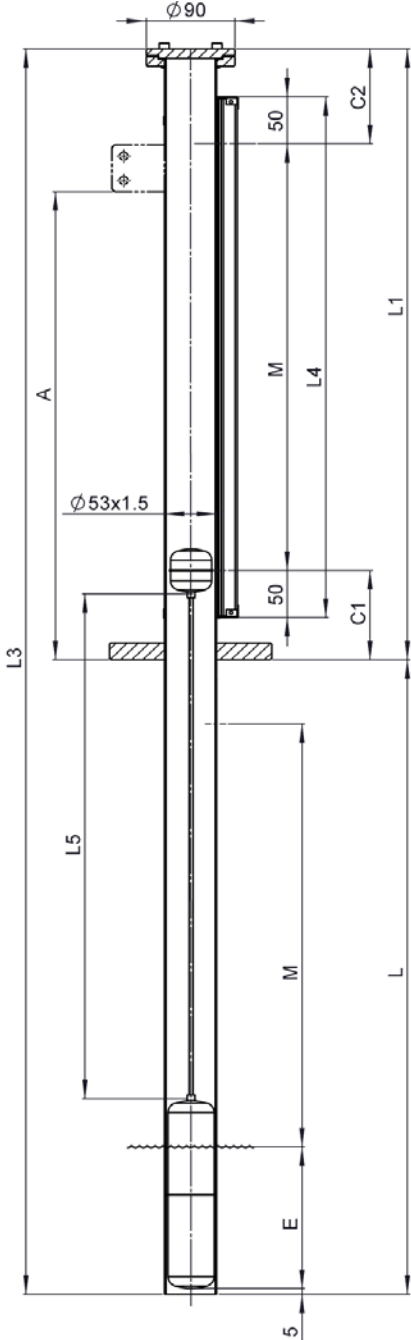


Top of Tank Line, SS

Type: 25270/06

Design meets the requirements of PED 2014/68/EU and harmonized standards



Purchase Order Data

Company: Project:
 Purchase order No.:
 Quantity: Tag No.:

Operating Conditions

Fluid:
 Density: $\geq 0.55\text{g/cm}^3$ @ L5=500 g/cm3:
 Viscosity: $\leq 600\text{cSt}$ cSt:
 Operation pressure: max. 6bar(g)@20°C *1) bar(g):
 Design pressure: " bar(g):
 Operation temperature: -40°C ... +400°C *1) °C:
 Design temperature: " °C:
 Gaskets for top service connection: NBR / PTFE / Graphite

Process Connections

Process flange EN1092-1:2013

- EN1092-1/01 A/DN50/PN16/316L
- Type A : with flat face

Process flange ASME B16.5:2013

- ANSI/ASME B16.5 / 2" class 150 RFSF
- RF SF: with raised face

Special flange execution

Dimensions

- Tank depth L
- Length L1 (M + 245 mm)
- C1
- C2
- Measuring length M (L - 200 mm)
- Length L4 (M + 100 mm)
- Connection pipe length L5
- Immersion depth E

Standard

| | |
|----|-----|
| L | 0 |
| C1 | 95 |
| C2 | 150 |
| M | 0 |
| L4 | 0 |
| L5 | 0 |
| E | - |

Special

| | |
|----|---|
| L | |
| C1 | |
| C2 | |
| M | 0 |
| L4 | 0 |
| L5 | 0 |
| E | - |

Design and Materials

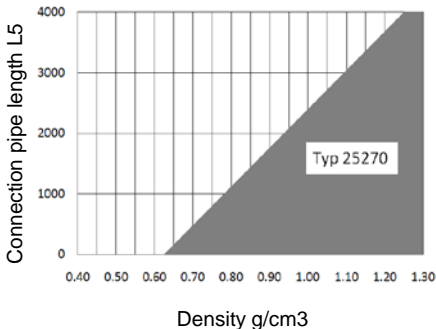
Float chamber: 316&316L
 Float: Standard (27485)
 Magnet holder: Standard (27483)

Indication Rail

| | | | | |
|------------------------------|-----------------------------|---------------------------|----------|--------------------------|
| PC, IP65 (<150°C) | Flaps: red-silver | No.: 34837 | Standard | <input type="checkbox"/> |
| PC, IP68, inert gas (<150°C) | Flaps: red-silver | No.: 41008 | | <input type="checkbox"/> |
| Al/PC, IP54 (<250°C) | Flaps: red-silver | No.: 34560 | | <input type="checkbox"/> |
| Al/Glass, IP54 (<400°C) | Flaps: black-silver | No.: 37100 | | <input type="checkbox"/> |
| 316L, IP67 (<250°C) | Flaps: red-silver | No.: 42403 | | <input type="checkbox"/> |
| 316L, IP67 (<400°C) | Flaps: black-silver | No.: 42404 | | <input type="checkbox"/> |
| Special execution | Flaps: <input type="text"/> | No.: <input type="text"/> | | <input type="checkbox"/> |

Float Extension bottom / top

| | | |
|----------|-----|-----|
| | C1: | C2: |
| Standard | 95 | 150 |



Accessories (refer to installation instructions 20010501)

Fixation bracket No. 26936: Dim. "A" [mm]:
 Magnetic switch: Quantity: Type:
 Transmitter: Resolution [mm]: Type:
 Electrical measuring length Mel [mm]:
 Converter: Type:
 Additional accessories:

Test Reports and Certificates

EN10204:2004-3.1 main pressure-bearing parts according to PED

Special Executions & Additional Notes

Notes

- *1) Refer to pressure-temperature rating! Lowest rating of any connecting flange or fitting and float chamber sets the limitation. The test pressure PT is specified acc. to WEKA specifications AW 2.1.2.

All mentioned dimensions are in mm and are valid only for ToT standard executions.