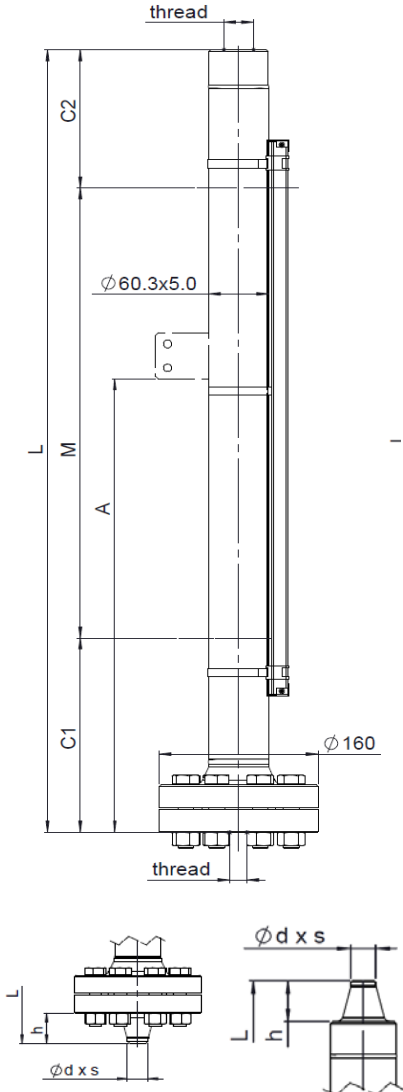


High Pressure Line 200

Type: 32806-A

Design meets the requirements of PED 2014/68/EU and harmonized standards



Float extension lower / upper:

	C1:	C2:
Standard	205	155

C1 & C2 shorter or longer if out of standard range or with damping springs

Purchase Order Data:

Company: Project:
 Purchase order no.:
 Quantity: Tag no.:

Operating Conditions

Fluid:
 Density: $\geq 0.7\text{g/cm}^3$ g/cm^3
 Viscosity: $\leq 600\text{cSt}$ cSt
 Operating pressure: max. 200bar(g) @ 20°C *1) bar(g)
 Design pressure: " bar(g)
 Operating temperature: -80°C ... 400°C *1) $^{\circ}\text{C}$
 Design temperature: " $^{\circ}\text{C}$
 Connecting Distance "L": max. 5800mm (one-piece design) mm

Design and Materials:

standard execution:
 Float chamber: 316&316L
 Float: Ti-alloy type no.:

Screws and nuts in A2-70 (AISI 304) for operating temp. -80°C ... +400°C

Damping spring, 1.4401 No.: 27399 top bottom
 Gaskets: Graphite incl. reinforcing net in ss 316/316L ($\leq 400^{\circ}\text{C}$) Standard
 Spiral wound gasket Graphit & 316 ($\leq 400^{\circ}\text{C}$)

Process Connections

- Female thread acc. ISO7-1 resp. ISO 228-1, without plug Rp1/2" resp. **G1/2"**:
- Female thread acc. ISO7-1 resp. ISO 228-1, without plug Rp3/4" resp. **G3/4"**:
- Female thread acc. ISO7-1 resp. ISO 228-1, without plug Rp1" resp. **G1"**:
- Female thread acc. ANSI, without plug **NPT 1/2"**:
- Female thread acc. ANSI, without plug **NPT 3/4"**:
- Female thread acc. ANSI, without plug **NPT 1"**:
- Butt weld ends acc. to ISO/EN; 21.3 x 2.6mm; h = 34mm DN15:
- Butt weld ends acc. to ISO/EN; 33.7 x 3.6mm; h = 37mm DN25:
- Butt weld ends acc. to ANSI B.36.10; 21.34 x 3.73mm; h = 37.8mm 1/2" (Sch80):
- Butt weld ends acc. to ANSI B.36.10; 26.67 x 3.91mm; h = 44.5mm 3/4" (Sch80):
- Butt weld ends acc. to ANSI B.36.10; 33.40 x 4.55mm; h = 44.5mm 1" (Sch80):

Other Connections

Indication Rail

PC, IP65 (<150°C)	Flaps: red-silver	No.: 34837	Standard <input type="checkbox"/>
PC, IP68, inert gas (<150°C)	Flaps: red-silver	No.: 41008	<input type="checkbox"/>
Al/PC, IP54 (<250°C)	Flaps: red-silver	No.: 34560	<input type="checkbox"/>
Al/Glass, IP54 (<400°C)	Flaps: black-silver	No.: 37100	<input type="checkbox"/>
316L, IP67 (<250°C)	Flaps: red-silver	No.: 42403	<input type="checkbox"/>
316L, IP67 (<400°C)	Flaps: black-silver	No.: 42404	<input type="checkbox"/>
Special execution	Flaps: <input type="text"/>	No.: <input type="text"/>	<input type="checkbox"/>

Accessories (refer to installation instructions 20010501)

Fixation bracket No. 26936: Dim. "A" [mm]:
 Magnetic switch: Quantity: Type:
 Transmitter: Resolution [mm]: **5 / 10** Type:
 Electrical measuring length Mel [mm]:
 Converter: Type:
 Additional accessories:

Test Reports and Certificates

EN10204:2004-3.1: main pressure-bearing parts according to PED

Special Executions & Additional Notes

Notes:

*1) Refer to pressure-temperature rating! Lowest pressure-temperature rating of any connecting flange or fitting will set the limitation!
 Test pressure will be specified according to WEKA specification AW 2.1.2.

All indicated dimensions in mm. All dimensions are only valid on VLI in standard execution.