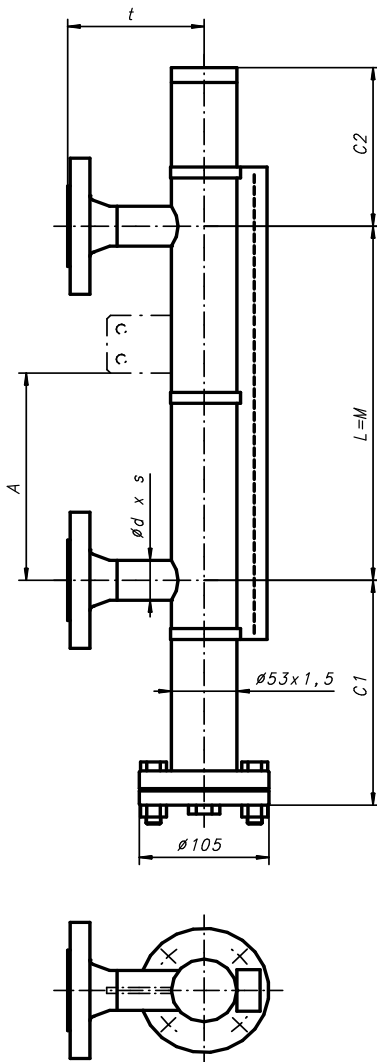


Standard Series 28

Type: 34300-K

Design meets the requirements of PED 2014/68/EU and harmonized standards



Float extension lower / upper:

	C1:	C2:
Standard	190	130

C1 & C2 shorter or longer, if out of standard range or with damping springs

Standard flange connections:

	EN	ANSI/ISO
Connection pieces, d*s:		
DN15:	21.3*2.0	21.3*2.0
DN20:	26.9*2.0	26.9*2.0
DN25:	33.7*2.0	33.7*2.0
≥ DN32 *2):	33.7*2.0	33.7*2.0
Dimension t:		
DN15:	110	119
DN20:	110	122
DN25:	110	125
≥ DN32 *2):	tba on request 3):	

Purchase Order Data:

Company:
Purchase order no.:
Quantity:

Project:	
Tag no.:	

Operating Conditions

Fluid:
Density: ≥ 0.55g/cm3 g/cm3:
Viscosity: ≤ 600cSt cSt:
Operating pressure: max. 28bar(g) @ 20°C *1) bar(g):
Design pressure: " bar(g):
Operating temperature: -100°C ... +400°C *1) °C:
Design temperature: " °C:
Connecting Distance "L": max. 5600mm (one-piece design) mm:

Design and Materials:

Float chamber: 316&316L Screws and nuts: A2-70, ISO 3506
Float: 316L (Standard) type no.: 36223/20 / 38662/20
Ti alloy type no.: 37943-2 / -3 / -4
type no.:

other materials and densities see float selection diagram or on request

Damping spring top and bottom, 1.4401 No.: 27399
Gaskets: Fibre compound Aramid/NBR (<150°C) Standard
PTFE, non reinforced, racked (<250°C)
Graphite incl. reinforcing net in SS 316 (<400°C)

Process connections:

EN-Connecting Flanges acc. EN1092-1 (Standard): DN15:
- EN1092-1/11 B1/DNxx/PN40/316L DN20:
- wn-flange, RF, Rz=12,5 ... 50µm, turning DN25:

ANSI/class150 (= ISO/PN20) - connecting flanges:

- ANSI/ASME B16.5 / ISO-DIS7005-1.2, type 11/B1 ANSI 1/2" resp. ISO DN15 :
- wn-flanges, RF SF, Rz=12,5 ... 50µm, turning ANSI 3/4" resp. ISO DN20 :
ANSI 1" resp. ISO DN25 :

Other Connections

--

Drain connection thread (Standard) (for vent see price list):

G3/8" (ISO7-1/ISO228-1) with plug R3/8" (ISO7-1) and PTFE tape (<=250°C)
G3/8" (ISO7-1/ISO228-1) with plug G3/8" (ISO228-1) and Ni gasket (>250°C)

Indication Rail:

PC, IP65 (<150°C) Flaps: red-silver No.: 34837 Standard
PC, IP68, inert gas (<150°C) Flaps: red-silver No.: 41008
Al/PC, IP54 (<250°C) Flaps: red-silver No.: 34560
Al/glass, IP54 (<400°C) Flaps: black-silver No.: 37100
Special Flaps: No.:

Accessories (installation instructions see spec. no. 20010501)

Fixation bracket no. 26936: dimension "A" [mm]:
Magnetic switch: quantity: type:
Transmitter: resolution [mm]: 5 / 10 type:
measuring length M_{el} [mm]:
Converter: type:
Further accessories:

Test reports and certificates:

EN10204:2004-3.1 certificate for used materials of the float chamber:

Special executions and notes:

--

Notes:

*1) Refer to pressure-temperature rating! Lowest pressure-temperature rating of any connecting flange or fitting will set the limitation!
Test pressure will be specified according to WEKA specification AW 2.1.2.

*2) With special reduction flanges.

*3) Depending on size of connecting flanges.

All indicated dimensions in mm. All dimensions are only valid on VLI in standard execution.