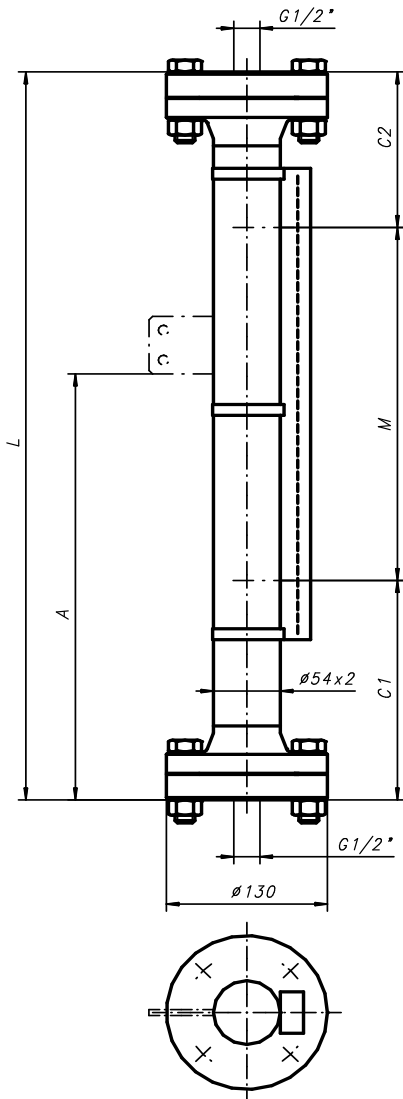


Standard Series 50

Type: 32755-B

Design meets the requirements of PED 2014/68/EU and harmonized standards



Float extension lower / upper:

	C1:	C2:
Standard	190	140

C1 & C2 shorter or longer, if out of standard range or with damping springs

Purchase Order Data:

Company:	Project:
Purchase order no.:	
Quantity:	Tag no.:

Operating Conditions

Fluid:		
Density:	≥ 0.55g/cm3	g/cm3:
Viscosity:	≤ 600cSt	cSt:
Operating pressure:	max. 50bar(g) @ 20°C *1)	bar(g):
Design pressure:	"	bar(g):
Operating temperature:	-80°C ... +400°C *1)	°C:
Design temperature:	"	°C:
Connecting Distance "L":	max. 5800mm (one-piece design)	mm:

Design and Materials:

Float chamber:	316/316L	Screws and nuts:	A2-70, ISO 3506
Float:	Ti alloy (Standard)	type no.:	37943-2 / -3 / -4
		type no.:	

other materials and densities see float selection diagram or on request

Damping spring top and bottom, 1.4401	No.:	27399	Standard	<input type="checkbox"/>
Gaskets:	Fibre compound Aramid/NBR (<150°C)		Standard	<input type="checkbox"/>
	PTFE, non reinforced, racked (<250°C)			<input type="checkbox"/>
	Graphite incl. reinforcing net in SS 316 (<400°C)			<input type="checkbox"/>

Process connections:

Connection threads:

- female G1/2" (ISO 7-1 / ISO 228-1), without plug Standard
- other connection threads see price list

Indication Rail:

PC, IP65 (<150°C)	Flaps: red-silver	No.:	34837	Standard	<input type="checkbox"/>
PC, IP68, inert gas (<150°C)	Flaps: red-silver	No.:	41008		<input type="checkbox"/>
Al/PC, IP54 (<250°C)	Flaps: red-silver	No.:	34560		<input type="checkbox"/>
Al/glass, IP54 (<400°C)	Flaps: black-silver	No.:	37100		<input type="checkbox"/>
Special	Flaps:				<input type="checkbox"/>

Accessories (installation instructions see spec. no. 20010501)

Fixation bracket no. 26936:	dimension "A" [mm]:	
Magnetic switch:	quantity:	type:
Transmitter:	resolution [mm]:	type:
	measuring length M _{el} [mm]:	
Converter:	type:	
Further accessories:		

Test reports and certificates:

EN10204:2004-3.1 certificate for used materials of the float chamber:

Special executions and notes:

Notes:

*1) Refer to pressure-temperature rating! Lowest pressure-temperature rating of any connecting flange or fitting will set the limitation! Test pressure will be specified according to WEKA specification AW 2.1.2.

All indicated dimensions in mm. All dimensions are only valid on VLI in standard execution.