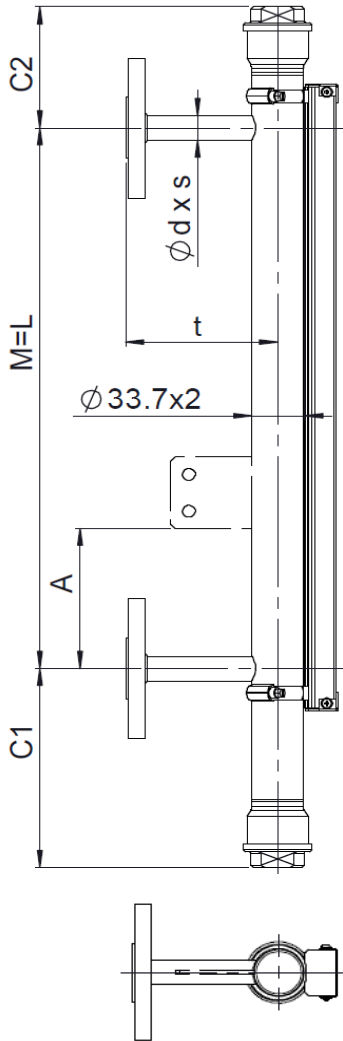


Smart Line 50

Type: 34000-O

Design meets the requirements of PED 2014/68/EU and harmonized standards



Purchase Order Data:

Company: Project:
 Purchase order no.:
 Quantity: Tag no.:

Operating Conditions

Fluid:
 Density: 0.60g/cm³ g/cm³:
 Viscosity: m150cSt cSt:
 Operating pressure: max. 50bar(g) @ 20°C ^{**1} bar(g):
Design pressure: " bar(g):
 Operating temperature: -80°C ... +250°C ^{**1} °C:
Design temperature: " °C:
 Connecting Distance "L": max. 5600mm (one-piece design) mm:

Design and Materials:

Float chamber: 316/316L
 Float: 316L (Standard) type no.: **34333 / 35615 / 33115/xx**
 NBR type no.: **38578/0.6 / 0.8 / 0.9**
 NBR type no.: **41622/1.0**

other materials and densities see float selection diagram or on request

Damping spring top and bottom, 1.4310 No.: 30309
 Gaskets: Fibre compound Aramid/NBR (<150°C) Standard
 pure PTFE non reinforced (<250°C)
 Graphite incl. reinforcing net in ss 316/316L (<400°C)

Process connections:

EN-connecting flanges acc. EN1092-1 (Standard):
 - EN1092-1/01 B1/DNxx/PN40/316L DN15:
 - plate flanges, RF, Rz=12,5 ÷ 50µm, turning DN20:
 DN25:

ANSI/class150 (= ISO/PN20) - connecting flanges:
 - ANSI/ASME B16.5 / ISO-DIS7005-1.2, type 01/B1 ANSI 1/2" resp. ISO DN15 :
 - plate flanges, RF SF, Rz=12,5 ÷ 50µm, turning ANSI 3/4" resp. ISO DN20 :
 ANSI 1" resp. ISO DN25 :

ANSI/class300 (= ISO/PN50) - connecting flanges:
 - ANSI/ASME B16.5 / ISO-DIS7005-1.2, type 01/B1 ANSI 1/2" resp. ISO DN15 :
 - plate flanges, RF SF, Rz=12,5 ÷ 50µm, turning ANSI 3/4" resp. ISO DN20 :
 ANSI 1" resp. ISO DN25 :

Other Connections

Float extension lower / upper:

Density in g/cm ³ :	C1:	C2:
SS ⁻ 0.6 and <0.7	350	85
SS ⁻ 0.7 and < 0.8	250	85
SS ⁻ 0.8 and < 1	180	85
SS ⁻ 1	140	85
NBR ⁻ 0.55	100	85

C1 & C2 shorter or longer, if out of standard range or with damping springs

Indication Rail:

PC, IP65 (<150°C) Flaps: red-silver No.: 34837 Standard
 PC, IP68, inert gas (<150°C) Flaps: red-silver No.: 41008
 Al/PC, IP54 (<250°C) Flaps: red-silver No.: 34560
 Al/Glass, IP54 (<400°C) Flaps: black-silver No.: 37100
 316L, IP67 (<250°C) Flaps: red-silver No.: 42403
 316L, IP67 (<400°C) Flaps: black-silver No.: 42404
 Special execution Flaps: No.:

Standard flange connections:

	EN	ANSI/ISO
Connection pieces, d*s:		
DN15:	17.2*1.6	17.2*1.6
DN20:	17.2*1.6	17.2*1.6
DN25:	17.2*1.6	17.2*1.6
DN32:	17.2*1.6	17.2*1.6
Dimension t:		
DN15:	100	100
DN20:	100	100
DN25:	100	100
DN32:	tba on request ²⁾	

Accessories (refer to installation instructions 20010501)

Fixation bracket No. 26936: Dim. "A" [mm]:
 Magnetic switch: Quantity: Type:
 Transmitter: Resolution [mm]: **5 / 10** Type:
 Electrical measuring length Mel [mm]:
 Converter: Type:
 Additional accessories:

Test Reports and Certificates

EN10204:2004-3.1: main pressure-bearing parts according to PED

Special Executions & Additional Notes

Notes:

*1) Refer to pressure-temperature rating! Lowest pressure-temperature rating of any connecting flange or fitting will set the limitation!
 Test pressure will be specified according to WEKA specification AW 2.1.2.

*2) In general also 100mm, depending on flange size

All indicated dimensions in mm. All dimensions are only valid on VLI in standard execution.