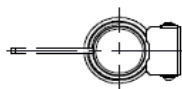
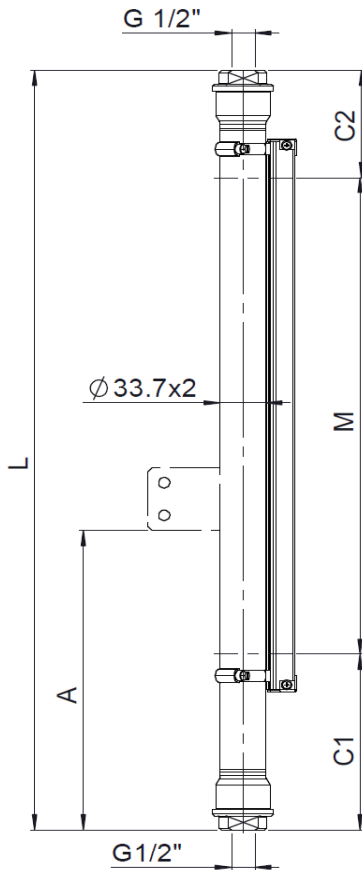


Smart Line 50

Type: 34000-B

Design meets the requirements of PED 2014/68/EU and harmonized standards



Purchase Order Data:

Company: Project:
 Purchase order no.:
 Quantity: Tag no.:

Operating Conditions

Fluid:
 Density: 0.60g/cm3 g/cm³:
 Viscosity: m150cSt cSt:
 Operating pressure: max. 50bar(g) @ 20°C ^{*1)} bar(g):
Design pressure: " bar(g):
 Operating temperature: -80°C ... +250°C ^{*1)} °C:
Design temperature: " °C:
 Connecting Distance "L": max. 5800mm (one-piece design) mm:

Design and Materials:

Float chamber: 316/316L
 Float: 316L (Standard) type no.: **34333 / 35615 / 33115/xx**
 NBR type no.: **38578/0.6 / 0.8 / 0.9**
 NBR type no.: **41622/1.0**

other materials and densities see float selection diagram or on request

Damping spring top and bottom, 1.4310 No.: 30309
 Gaskets: Fibre compound Aramid/NBR (<150°C) Standard
 pure PTFE non reinforced (<250°C)
 Graphite incl. reinforcing net in ss 316/316L (<400°C)

Process connections:

Connection threads:
 - female G1/2" (ISO 7-1 / ISO 228-1), without plug
 - other connection threads see price list

Float extension lower / upper:

Density in g/cm ³ :	C1:	C2:
SS ⁻ 0.6 and <0.7	350	85
SS ⁻ 0.7 and < 0.8	250	85
SS ⁻ 0.8 and < 1	180	85
SS ⁻ 1	140	85
NBR ⁻ 0.55	100	85

C1 & C2 shorter or longer, if out of standard range or with damping springs

Indication Rail:

PC, IP65 (<150°C)	Flaps: red-silver	No.: 34837	Standard <input type="checkbox"/>
PC, IP68, inert gas (<150°C)	Flaps: red-silver	No.: 41008	<input type="checkbox"/>
Al/PC, IP54 (<250°C)	Flaps: red-silver	No.: 34560	<input type="checkbox"/>
Al/Glass, IP54 (<400°C)	Flaps: black-silver	No.: 37100	<input type="checkbox"/>
316L, IP67 (<250°C)	Flaps: red-silver	No.: 42403	<input type="checkbox"/>
316L, IP67 (<400°C)	Flaps: black-silver	No.: 42404	<input type="checkbox"/>
Special execution	Flaps: <input type="text"/>	No.: <input type="text"/>	<input type="checkbox"/>

Accessories (refer to installation instructions 20010501)

Fixation bracket No. 26936: Dim. "A" [mm]:
 Magnetic switch: Quantity: Type:
 Transmitter: Resolution [mm]: **5 / 10** Type:
 Electrical measuring length Mel [mm]:
 Converter: Type:
 Additional accessories:

Test Reports and Certificates

EN10204:2004-3.1: main pressure-bearing parts according to PED

Special Executions & Additional Notes

Notes:

*1) Refer to pressure-temperature rating! Lowest pressure-temperature rating of any connecting flange or fitting will set the limitation!
 Test pressure will be specified according to WEKA specification AW 2.1.2.

All indicated dimensions in mm. All dimensions are only valid on VLI in standard execution.