

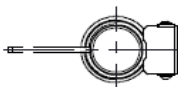
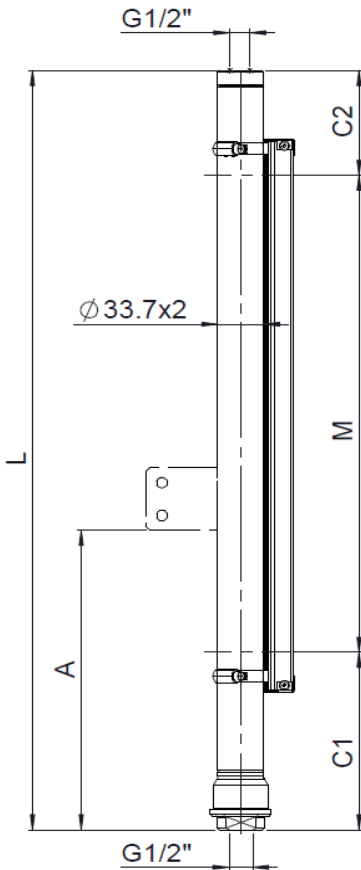
Visual Level Indicators (VLI) Smart Line

Series	Type	Material	Pipe O.D. x s (mm)	Operating Pressure	Operating Temperature	Page
Smart Line 50	34000-A	316/316L	33.7*2.0	max. 50bar @ 20°C	-80°C ÷ +250°C	2
"	34000-B	"	"	"	"	3
"	34000-K	"	"	"	"	4
"	34000-O	"	"	"	"	5
Smart Line 50	34110-K	316/316L	33.7*2.0	max. 50bar @ 20°C	-80°C ÷ +250°C	6
"	34110-O	"	"	"	"	7
	Pressure Temperature Rating for Smart Line 50					8
	Float selection diagram for Smart Line 50					9
	Mounting specification for switches and transmitters drawing no. 20010501					10

Smart Line 50

Type: 34000-A

Design meets the requirements of PED 2014/68/EU and harmonized standards



Purchase Order Data:

Company: Project:
 Purchase order no.:
 Quantity: Tag no.:

Operating Conditions

Fluid:
 Density: 0.60g/cm3 g/cm³:
 Viscosity: m150cSt cSt:
 Operating pressure: max. 50bar(g) @ 20°C ^{*1)} bar(g):
Design pressure: " bar(g):
 Operating temperature: -80°C ... +250°C ^{*1)} °C:
Design temperature: " °C:
 Connecting Distance "L": max. 5800mm (one-piece design) mm:

Design and Materials:

Float chamber: 316/316L
 Float: 316L (Standard) type no.: **34333 / 35615 / 33115/xx**
 NBR type no.: **38578/0.6 / 0.8 / 0.9**
 NBR type no.: **41622/1.0**

other materials and densities see float selection diagram or on request

Damping spring top and bottom, 1.4310 No.: 30309
 Gaskets: Fibre compound Aramid/NBR (<150°C) Standard
 pure PTFE non reinforced (<250°C)
 Graphite incl. reinforcing net in ss 316/316L (<400°C)

Process connections:

Connection threads:
 - female G1/2" (ISO 7-1 / ISO 228-1), without plug
 - other connection threads see price list

Float extension lower / upper:

Density in g/cm ³ :	C1:	C2:
SS ⁻ 0.6 and <0.7	350	85
SS ⁻ 0.7 and < 0.8	250	85
SS ⁻ 0.8 and < 1	180	85
SS ⁻ 1	140	85
NBR ⁻ 0.55	100	85

C1 & C2 shorter or longer, if out of standard range or with damping springs

Indication Rail:

PC, IP65 (<150°C)	Flaps: red-silver	No.: 34837	Standard <input type="checkbox"/>
PC, IP68, inert gas (<150°C)	Flaps: red-silver	No.: 41008	<input type="checkbox"/>
Al/PC, IP54 (<250°C)	Flaps: red-silver	No.: 34560	<input type="checkbox"/>
Al/Glass, IP54 (<400°C)	Flaps: black-silver	No.: 37100	<input type="checkbox"/>
316L, IP67 (<250°C)	Flaps: red-silver	No.: 42403	<input type="checkbox"/>
316L, IP67 (<400°C)	Flaps: black-silver	No.: 42404	<input type="checkbox"/>
Special execution	Flaps: <input type="text"/>	No.: <input type="text"/>	<input type="checkbox"/>

Accessories (refer to installation instructions 20010501)

Fixation bracket No. 26936: Dim. "A" [mm]:
 Magnetic switch: Quantity: Type:
 Transmitter: Resolution [mm]: **5 / 10** Type:
 Electrical measuring length Mel [mm]:
 Converter: Type:
 Additional accessories:

Test Reports and Certificates

EN10204:2004-3.1: main pressure-bearing parts according to PED

Special Executions & Additional Notes

Notes:

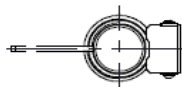
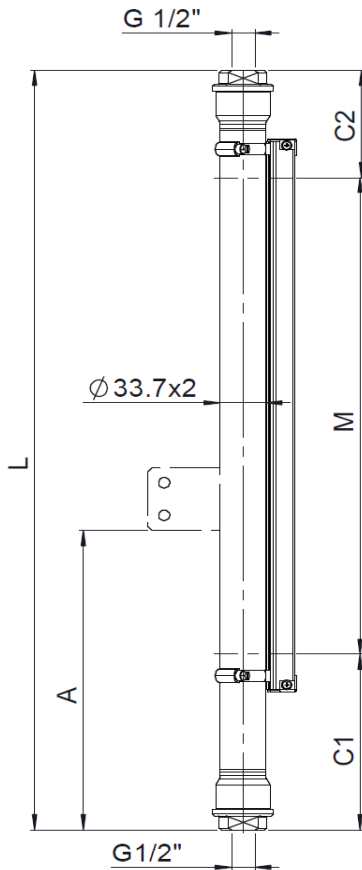
*1) Refer to pressure-temperature rating! Lowest pressure-temperature rating of any connecting flange or fitting will set the limitation!
 Test pressure will be specified according to WEKA specification AW 2.1.2.

All indicated dimensions in mm. All dimensions are only valid on VLI in standard execution.

Smart Line 50

Type: 34000-B

Design meets the requirements of PED 2014/68/EU and harmonized standards



Purchase Order Data:

Company: Project:
 Purchase order no.:
 Quantity: Tag no.:

Operating Conditions

Fluid:
 Density: 0.60g/cm3 g/cm³:
 Viscosity: m150cSt cSt:
 Operating pressure: max. 50bar(g) @ 20°C ^{*1)} bar(g):
Design pressure: " bar(g):
 Operating temperature: -80°C ... +250°C ^{*1)} °C:
Design temperature: " °C:
 Connecting Distance "L": max. 5800mm (one-piece design) mm:

Design and Materials:

Float chamber: 316/316L
 Float: 316L (Standard) type no.: **34333 / 35615 / 33115/xx**
 NBR type no.: **38578/0.6 / 0.8 / 0.9**
 NBR type no.: **41622/1.0**

other materials and densities see float selection diagram or on request

Damping spring top and bottom, 1.4310 No.: 30309
 Gaskets: Fibre compound Aramid/NBR (<150°C) Standard
 pure PTFE non reinforced (<250°C)
 Graphite incl. reinforcing net in ss 316/316L (<400°C)

Process connections:

Connection threads:
 - female G1/2" (ISO 7-1 / ISO 228-1), without plug
 - other connection threads see price list

Float extension lower / upper:

Density in g/cm ³ :	C1:	C2:
SS ⁻ 0.6 and <0.7	350	85
SS ⁻ 0.7 and < 0.8	250	85
SS ⁻ 0.8 and < 1	180	85
SS ⁻ 1	140	85
NBR ⁻ 0.55	100	85

C1 & C2 shorter or longer, if out of standard range or with damping springs

Indication Rail:

PC, IP65 (<150°C)	Flaps: red-silver	No.: 34837	Standard <input type="checkbox"/>
PC, IP68, inert gas (<150°C)	Flaps: red-silver	No.: 41008	<input type="checkbox"/>
Al/PC, IP54 (<250°C)	Flaps: red-silver	No.: 34560	<input type="checkbox"/>
Al/Glass, IP54 (<400°C)	Flaps: black-silver	No.: 37100	<input type="checkbox"/>
316L, IP67 (<250°C)	Flaps: red-silver	No.: 42403	<input type="checkbox"/>
316L, IP67 (<400°C)	Flaps: black-silver	No.: 42404	<input type="checkbox"/>
Special execution	Flaps: <input type="text"/>	No.: <input type="text"/>	<input type="checkbox"/>

Accessories (refer to installation instructions 20010501)

Fixation bracket No. 26936: Dim. "A" [mm]:
 Magnetic switch: Quantity: Type:
 Transmitter: Resolution [mm]: **5 / 10** Type:
 Electrical measuring length Mel [mm]:
 Converter: Type:
 Additional accessories:

Test Reports and Certificates

EN10204:2004-3.1: main pressure-bearing parts according to PED

Special Executions & Additional Notes

Notes:

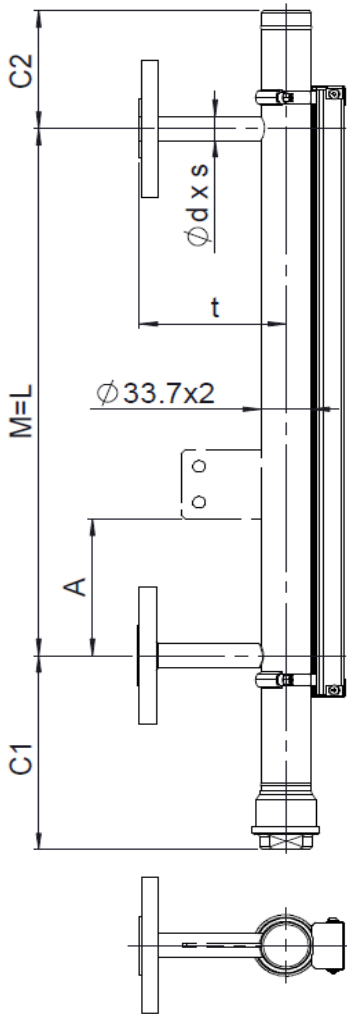
*1) Refer to pressure-temperature rating! Lowest pressure-temperature rating of any connecting flange or fitting will set the limitation!
 Test pressure will be specified according to WEKA specification AW 2.1.2.

All indicated dimensions in mm. All dimensions are only valid on VLI in standard execution.

Smart Line 50

Type: 34000-K

Design meets the requirements of PED 2014/68/EU and harmonized standards



Purchase Order Data:

Company:
Purchase order no.:
Quantity:

Project:	
Tag no.:	

Operating Conditions

Fluid:
Density: 0.60g/cm³ g/cm³:
Viscosity: m150cSt cSt:
Operating pressure: max. 50bar(g) @ 20°C^{*)} bar(g):
Design pressure: " bar(g):
Operating temperature: -80°C ... +250°C^{*)} °C:
Design temperature: " °C:
Connecting Distance "L": max. 5600mm (one-piece design) mm:

g/cm ³ :	
cSt:	
bar(g):	
bar(g):	
°C:	
°C:	
mm:	

Design and Materials:

Float chamber: 316/316L
Float: 316L (Standard) type no.: **34333 / 35615 / 33115/xx**
NBR type no.: **38578/0.6 / 0.8 / 0.9**
NBR type no.: **41622/1.0**

other materials and densities see float selection diagram or on request

Damping spring top and bottom, 1.4310 No.: 30309
Gaskets: Fibre compound Aramid/NBR (<150°C) Standard
pure PTFE non reinforced (<250°C)
Graphite incl. reinforcing net in ss 316/316L (<400°C)

Process connections:

EN-connecting flanges acc. EN1092-1 (Standard):
- EN1092-1/01 B1/DNxx/PN40/316L DN15:
- plate flanges, RF, Rz=12,5 ÷ 50µm, turning DN20:
DN25:

ANSI/class150 (= ISO/PN20) - connecting flanges:
- ANSI/ASME B16.5 / ISO-DIS7005-1.2, type 01/B1 ANSI 1/2" resp. ISO DN15 :
- plate flanges, RF SF, Rz=12,5 ÷ 50µm, turning ANSI 3/4" resp. ISO DN20 :
ANSI 1" resp. ISO DN25 :

ANSI/class300 (= ISO/PN50) - connecting flanges:
- ANSI/ASME B16.5 / ISO-DIS7005-1.2, type 01/B1 ANSI 1/2" resp. ISO DN15 :
- plate flanges, RF SF, Rz=12,5 ÷ 50µm, turning ANSI 3/4" resp. ISO DN20 :
ANSI 1" resp. ISO DN25 :

Other Connections

--

Indication Rail:

PC, IP65 (<150°C) Flaps: red-silver No.: 34837 Standard
PC, IP68, inert gas (<150°C) Flaps: red-silver No.: 41008
Al/PC, IP54 (<250°C) Flaps: red-silver No.: 34560
Al/Glass, IP54 (<400°C) Flaps: black-silver No.: 37100
316L, IP67 (<250°C) Flaps: red-silver No.: 42403
316L, IP67 (<400°C) Flaps: black-silver No.: 42404
Special execution Flaps: Type: No.:

Float extension lower / upper:

Density in g/cm ³ :	C1:	C2:
SS ⁻ 0.6 and <0.7	350	85
SS ⁻ 0.7 and < 0.8	250	85
SS ⁻ 0.8 and < 1	180	85
SS ⁻ 1	140	85
NBR ⁻ 0.55	100	85

C1 & C2 shorter or longer, if out of standard range or with damping springs

Standard flange connections:

	EN	ANSI/ISO
Connection pieces, d*s:		
DN15:	17.2*1.6	17.2*1.6
DN20:	17.2*1.6	17.2*1.6
DN25:	17.2*1.6	17.2*1.6
DN32:	17.2*1.6	17.2*1.6
Dimension t:		
DN15:	100	100
DN20:	100	100
DN25:	100	100
DN32:	tba on request ²⁾	

Accessories (refer to installation instructions 20010501)

Fixation bracket No. 26936: Dim. "A" [mm]:
Magnetic switch: Quantity: Type:
Transmitter: Resolution [mm]: 5 / 10 Type:
Electrical measuring length Mel [mm]:
Converter: Type:
Additional accessories:

Test Reports and Certificates

EN10204:2004-3.1: main pressure-bearing parts according to PED

Special Executions & Additional Notes

--

Notes:

*1) Refer to pressure-temperature rating! Lowest pressure-temperature rating of any connecting flange or fitting will set the limitation!
Test pressure will be specified according to WEKA specification AW 2.1.2.

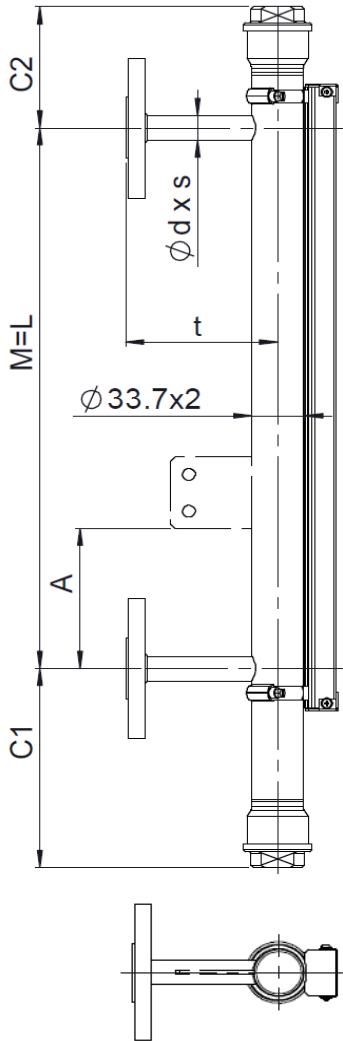
*2) In general also 100mm, depending on flange size

All indicated dimensions in mm. All dimensions are only valid on VLI in standard execution.

Smart Line 50

Type: 34000-O

Design meets the requirements of PED 2014/68/EU and harmonized standards



Float extension lower / upper:

Density in g/cm ³ :	C1:	C2:
SS ⁻ 0.6 and <0.7	350	85
SS ⁻ 0.7 and < 0.8	250	85
SS ⁻ 0.8 and < 1	180	85
SS ⁻ 1	140	85
NBR ⁻ 0.55	100	85

C1 & C2 shorter or longer, if out of standard range or with damping springs

Standard flange connections:

	EN	ANSI/ISO
Connection pieces, d*s:		
DN15:	17.2*1.6	17.2*1.6
DN20:	17.2*1.6	17.2*1.6
DN25:	17.2*1.6	17.2*1.6
DN32:	17.2*1.6	17.2*1.6
Dimension t:		
DN15:	100	100
DN20:	100	100
DN25:	100	100
DN32:	tba on request ²⁾	

Notes:

- *1) Refer to pressure-temperature rating! Lowest pressure-temperature rating of any connecting flange or fitting will set the limitation! Test pressure will be specified according to WEKA specification AW 2.1.2.
 - *2) In general also 100mm, depending on flange size
- All indicated dimensions in mm. All dimensions are only valid on VLI in standard execution.

Purchase Order Data:

Company:	Project:
Purchase order no.:	
Quantity:	Tag no.:

Operating Conditions

Fluid:	
Density:	0.60g/cm ³ g/cm ³ :
Viscosity:	m150cSt cSt:
Operating pressure:	max. 50bar(g) @ 20°C ^{**1)} bar(g):
Design pressure:	" bar(g):
Operating temperature:	-80°C ... +250°C ^{**1)} °C:
Design temperature:	" °C:
Connecting Distance "L":	max. 5600mm (one-piece design) mm:

Design and Materials:

Float chamber:	316/316L
Float:	316L (Standard) type no.: 34333 / 35615 / 33115/xx
	NBR type no.: 38578/0.6 / 0.8 / 0.9
	NBR type no.: 41622/1.0

other materials and densities see float selection diagram or on request

Damping spring top and bottom, 1.4310	No.: 30309	<input type="checkbox"/>
Gaskets:	Fibre compound Aramid/NBR (<150°C)	Standard <input type="checkbox"/>
	pure PTFE non reinforced (<250°C)	<input type="checkbox"/>
	Graphite incl. reinforcing net in ss 316/316L (<400°C)	<input type="checkbox"/>

Process connections:

EN-connecting flanges acc. EN1092-1 (Standard):	DN15: <input type="checkbox"/>
- EN1092-1/01 B1/DNxx/PN40/316L	DN20: <input type="checkbox"/>
- plate flanges, RF, Rz=12,5 ÷ 50µm, turning	DN25: <input type="checkbox"/>

ANSI/class150 (= ISO/PN20) - connecting flanges:

- ANSI/ASME B16.5 / ISO-DIS7005-1.2, type 01/B1	ANSI 1/2" resp. ISO DN15 : <input type="checkbox"/>
- plate flanges, RF SF, Rz=12,5 ÷ 50µm, turning	ANSI 3/4" resp. ISO DN20 : <input type="checkbox"/>
	ANSI 1" resp. ISO DN25 : <input type="checkbox"/>

ANSI/class300 (= ISO/PN50) - connecting flanges:

- ANSI/ASME B16.5 / ISO-DIS7005-1.2, type 01/B1	ANSI 1/2" resp. ISO DN15 : <input type="checkbox"/>
- plate flanges, RF SF, Rz=12,5 ÷ 50µm, turning	ANSI 3/4" resp. ISO DN20 : <input type="checkbox"/>
	ANSI 1" resp. ISO DN25 : <input type="checkbox"/>

Other Connections

--

Indication Rail:

PC, IP65 (<150°C)	Flaps: red-silver	No.: 34837	Standard <input type="checkbox"/>
PC, IP68, inert gas (<150°C)	Flaps: red-silver	No.: 41008	<input type="checkbox"/>
Al/PC, IP54 (<250°C)	Flaps: red-silver	No.: 34560	<input type="checkbox"/>
Al/Glass, IP54 (<400°C)	Flaps: black-silver	No.: 37100	<input type="checkbox"/>
316L, IP67 (<250°C)	Flaps: red-silver	No.: 42403	<input type="checkbox"/>
316L, IP67 (<400°C)	Flaps: black-silver	No.: 42404	<input type="checkbox"/>
Special execution	Flaps: <input type="text"/>	No.: <input type="text"/>	<input type="checkbox"/>

Accessories (refer to installation instructions 20010501)

Fixation bracket No. 26936:	Dim. "A" [mm]:	<input type="text"/>
Magnetic switch:	Quantity:	Type:
Transmitter:	Resolution [mm]:	Type:
Electrical measuring length Mel [mm]:		
Converter:	Type:	
Additional accessories:		

Test Reports and Certificates

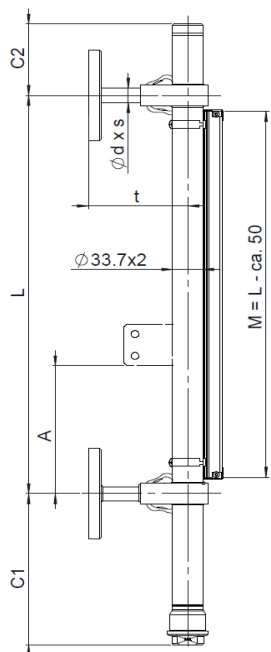
EN10204:2004-3.1: main pressure-bearing parts according to PED	<input type="checkbox"/>
--	--------------------------

Special Executions & Additional Notes

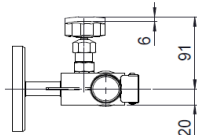
--

Smart Line 50 with integrated valves Type: 34110-K

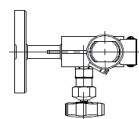
Design meets the requirements of PED 2014/68/EU and harmonized standards



Standard "right hand" type: 34110-K



Optional "left hand" type: 34110-K (L)



Size of shut-off valve: DN6

Float extension lower / upper:

Density in g/cm ³ :	C1:	C2:
SS ⁻ 0.6 and <0.7	350	85
SS ⁻ 0.7 and < 0.8	250	85
SS ⁻ 0.8 and < 1	180	85
SS ⁻ 1	140	85
NBR ⁻ 0.55	100	85

C1 & C2 shorter or longer, if out of standard range or with damping springs

Standard flange connections:

	EN	ANSI/ISO
Connection pieces, d*s:		
DN15:	17.2*1.6	17.2*1.6
DN20:	17.2*1.6	17.2*1.6
DN25:	17.2*1.6	17.2*1.6
DN32:	17.2*1.6	17.2*1.6
Dimension t:		
DN15:	110	110
DN20:	110	110
DN25:	110	110
DN32:	tba on request ²⁾	

Purchase Order Data:

Company:	<input type="text"/>	Project:	<input type="text"/>
Purchase order no.:	<input type="text"/>		
Quantity:	<input type="text"/>	Tag no.:	<input type="text"/>

Operating Conditions

Fluid:	<input type="text"/>		
Density:	0.60g/cm ³	g/cm ³ :	<input type="text"/>
Viscosity:	m150cSt	cSt:	<input type="text"/>
Operating pressure:	max. 50bar(g) @ 20°C ^{**1)}	bar(g):	<input type="text"/>
Design pressure:	"	bar(g):	<input type="text"/>
Operating temperature:	-80°C ... +250°C ^{**1)}	°C:	<input type="text"/>
Design temperature:	"	°C:	<input type="text"/>
Connecting Distance "L":	max. 5600mm (one-piece design)	mm:	<input type="text"/>

Design and Materials:

Float chamber:	316/316L	Valves:	316L + pure PTFE
Float:	316L (Standard)	type no.:	34333 / 35615 / 33115/xx
	NBR	type no.:	38578/0.6 / 0.8 / 0.9
	NBR	type no.:	41622/1.0

other materials and densities see float selection diagram or on request

Damping spring top and bottom, 1.4310	No.:	30309	<input type="checkbox"/>
Gaskets:	Fibre compound Aramid/NBR (<150°C)	Standard	<input type="checkbox"/>
	pure PTFE non reinforced (<250°C)		<input type="checkbox"/>
	Graphite incl. reinforcing net in ss 316/316L (<400°C)		<input type="checkbox"/>

Process connections:

EN-connecting flanges acc. EN1092-1 (Standard):	DN15:	<input type="checkbox"/>
- EN1092-1/01 B1/DNxx/PN40/316L	DN20:	<input type="checkbox"/>
- plate flanges, RF, Rz=12,5 δ 50µm, turning	DN25:	<input type="checkbox"/>

ANSI/class150 (= ISO/PN20) - connecting flanges:

- ANSI/ASME B16.5 / ISO-DIS7005-1.2, type 01/B1	ANSI 1/2" resp. ISO DN15 :	<input type="checkbox"/>
- plate flanges, RF SF, Rz=12,5 δ 50µm, turning	ANSI 3/4" resp. ISO DN20 :	<input type="checkbox"/>
	ANSI 1" resp. ISO DN25 :	<input type="checkbox"/>

ANSI/class300 (= ISO/PN50) - connecting flanges:

- ANSI/ASME B16.5 / ISO-DIS7005-1.2, type 01/B1	ANSI 1/2" resp. ISO DN15 :	<input type="checkbox"/>
- plate flanges, RF SF, Rz=12,5 δ 50µm, turning	ANSI 3/4" resp. ISO DN20 :	<input type="checkbox"/>
	ANSI 1" resp. ISO DN25 :	<input type="checkbox"/>

Other Connections

<input type="text"/>

Indication Rail:

PC, IP65 (<150°C)	Flaps: red-silver	No.:	34837	Standard	<input type="checkbox"/>
PC, IP68, inert gas (<150°C)	Flaps: red-silver	No.:	41008		<input type="checkbox"/>
Al/PC, IP54 (<250°C)	Flaps: red-silver	No.:	34560		<input type="checkbox"/>
Al/Glass, IP54 (<400°C)	Flaps: black-silver	No.:	37100		<input type="checkbox"/>
316L, IP67 (<250°C)	Flaps: red-silver	No.:	42403		<input type="checkbox"/>
316L, IP67 (<400°C)	Flaps: black-silver	No.:	42404		<input type="checkbox"/>
Special execution	Flaps:	<input type="text"/>	No.:	<input type="text"/>	<input type="checkbox"/>

Accessories (refer to installation instructions 20010501)

Fixation bracket No. 26936:	Dim. "A" [mm]:	<input type="text"/>
Magnetic switch:	Quantity:	<input type="text"/>
Transmitter:	Resolution [mm]:	5 / 10
Electrical measuring length Mel [mm]:	Type:	<input type="text"/>
Converter:	Type:	<input type="text"/>
Additional accessories:	<input type="text"/>	

Test Reports and Certificates

EN10204:2004-3.1: main pressure-bearing parts according to PED	<input type="checkbox"/>
--	--------------------------

Special Executions & Additional Notes

<input type="text"/>

Notes:

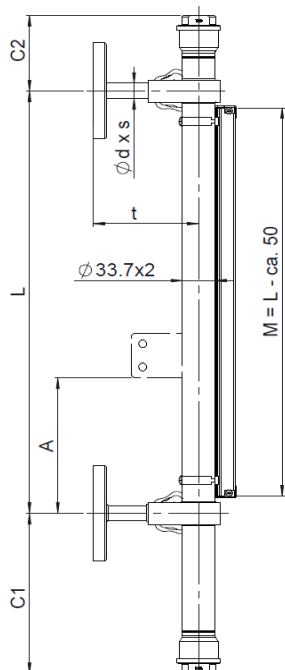
*1) Refer to pressure-temperature rating! Lowest pressure-temperature rating of any connecting flange or fitting will set the limitation!
 Test pressure will be specified according to WEKA specification AW 2.1.2.

*2) In general also 100mm, depending on flange size

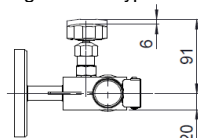
All indicated dimensions in mm. All dimensions are only valid on VLI in standard execution.

Smart Line 50 with integrated valves Type: 34110-O

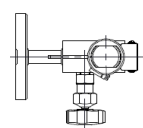
Design meets the requirements of PED 2014/68/EU and harmonized standards



Standard "right hand" type: 34110-O



Optional "left hand" type: 34110-O (L)



Size of shut-off valve: DN6

Float extension lower / upper:

Density in g/cm ³ :	C1:	C2:
SS ⁻ 0.6 and <0.7	350	85
SS ⁻ 0.7 and < 0.8	250	85
SS ⁻ 0.8 and < 1	180	85
SS ⁻ 1	140	85
NBR ⁻ 0.55	100	85

C1 & C2 shorter or longer, if out of standard range or with damping springs

Standard flange connections:

	EN	ANSI/ISO
Connection pieces, d*s:		
DN15:	17.2*1.6	17.2*1.6
DN20:	17.2*1.6	17.2*1.6
DN25:	17.2*1.6	17.2*1.6
DN32:	17.2*1.6	17.2*1.6
Dimension t:		
DN15:	110	110
DN20:	110	110
DN25:	110	110
DN32:	tba on request ²⁾	

Notes:

*1) Refer to pressure-temperature rating! Lowest pressure-temperature rating of any connecting flange or fitting will set the limitation!
Test pressure will be specified according to WEKA specification AW 2.1.2.

*2) In general also 100mm, depending on flange size

All indicated dimensions in mm. All dimensions are only valid on VLI in standard execution.

Purchase Order Data:

Company:	<input type="text"/>	Project:	<input type="text"/>
Purchase order no.:	<input type="text"/>		
Quantity:	<input type="text"/>	Tag no.:	<input type="text"/>

Operating Conditions

Fluid:	<input type="text"/>		
Density:	0.60g/cm ³	g/cm ³ :	<input type="text"/>
Viscosity:	m150cSt	cSt:	<input type="text"/>
Operating pressure:	max. 50bar(g) @ 20°C ^{**1)}	bar(g):	<input type="text"/>
Design pressure:	"	bar(g):	<input type="text"/>
Operating temperature:	-80°C ... +250°C ^{**1)}	°C:	<input type="text"/>
Design temperature:	"	°C:	<input type="text"/>
Connecting Distance "L":	max. 5600mm (one-piece design)	mm:	<input type="text"/>

Design and Materials:

Float chamber:	316/316L	Valves:	316L + pure PTFE
Float:	316L (Standard)	type no.:	34333 / 35615 / 33115/xx
	NBR	type no.:	38578/0.6 / 0.8 / 0.9
	NBR	type no.:	41622/1.0

other materials and densities see float selection diagram or on request

Damping spring top and bottom, 1.4310	No.:	30309	<input type="checkbox"/>
Gaskets:	Fibre compound Aramid/NBR (<150°C)	Standard	<input type="checkbox"/>
	pure PTFE non reinforced (<250°C)		<input type="checkbox"/>
	Graphite incl. reinforcing net in ss 316/316L (<400°C)		<input type="checkbox"/>

Process connections:

EN-connecting flanges acc. EN1092-1 (Standard):	DN15:	<input type="checkbox"/>
- EN1092-1/01 B1/DNxx/PN40/316L	DN20:	<input type="checkbox"/>
- plate flanges, RF, Rz=12,5 ÷ 50µm, turning	DN25:	<input type="checkbox"/>

ANSI/class150 (= ISO/PN20) - connecting flanges:

- ANSI/ASME B16.5 / ISO-DIS7005-1.2, type 01/B1	ANSI 1/2" resp. ISO DN15 :	<input type="checkbox"/>
- plate flanges, RF SF, Rz=12,5 ÷ 50µm, turning	ANSI 3/4" resp. ISO DN20 :	<input type="checkbox"/>
	ANSI 1" resp. ISO DN25 :	<input type="checkbox"/>

ANSI/class300 (= ISO/PN50) - connecting flanges:

- ANSI/ASME B16.5 / ISO-DIS7005-1.2, type 01/B1	ANSI 1/2" resp. ISO DN15 :	<input type="checkbox"/>
- plate flanges, RF SF, Rz=12,5 ÷ 50µm, turning	ANSI 3/4" resp. ISO DN20 :	<input type="checkbox"/>
	ANSI 1" resp. ISO DN25 :	<input type="checkbox"/>

Other Connections

<input type="text"/>

Indication Rail:

PC, IP65 (<150°C)	Flaps: red-silver	No.:	34837	Standard	<input type="checkbox"/>
PC, IP68, inert gas (<150°C)	Flaps: red-silver	No.:	41008		<input type="checkbox"/>
Al/PC, IP54 (<250°C)	Flaps: red-silver	No.:	34560		<input type="checkbox"/>
Al/Glass, IP54 (<400°C)	Flaps: black-silver	No.:	37100		<input type="checkbox"/>
316L, IP67 (<250°C)	Flaps: red-silver	No.:	42403		<input type="checkbox"/>
316L, IP67 (<400°C)	Flaps: black-silver	No.:	42404		<input type="checkbox"/>
Special execution	Flaps: <input type="text"/>	No.:	<input type="text"/>		<input type="checkbox"/>

Accessories (refer to installation instructions 20010501)

Fixation bracket No. 26936:	Dim. "A" [mm]:	<input type="text"/>
Magnetic switch:	Quantity:	<input type="text"/>
Transmitter:	Resolution [mm]:	5 / 10
Electrical measuring length Mel [mm]:	Type:	<input type="text"/>
Converter:	Type:	<input type="text"/>
Additional accessories:	<input type="text"/>	

Test Reports and Certificates

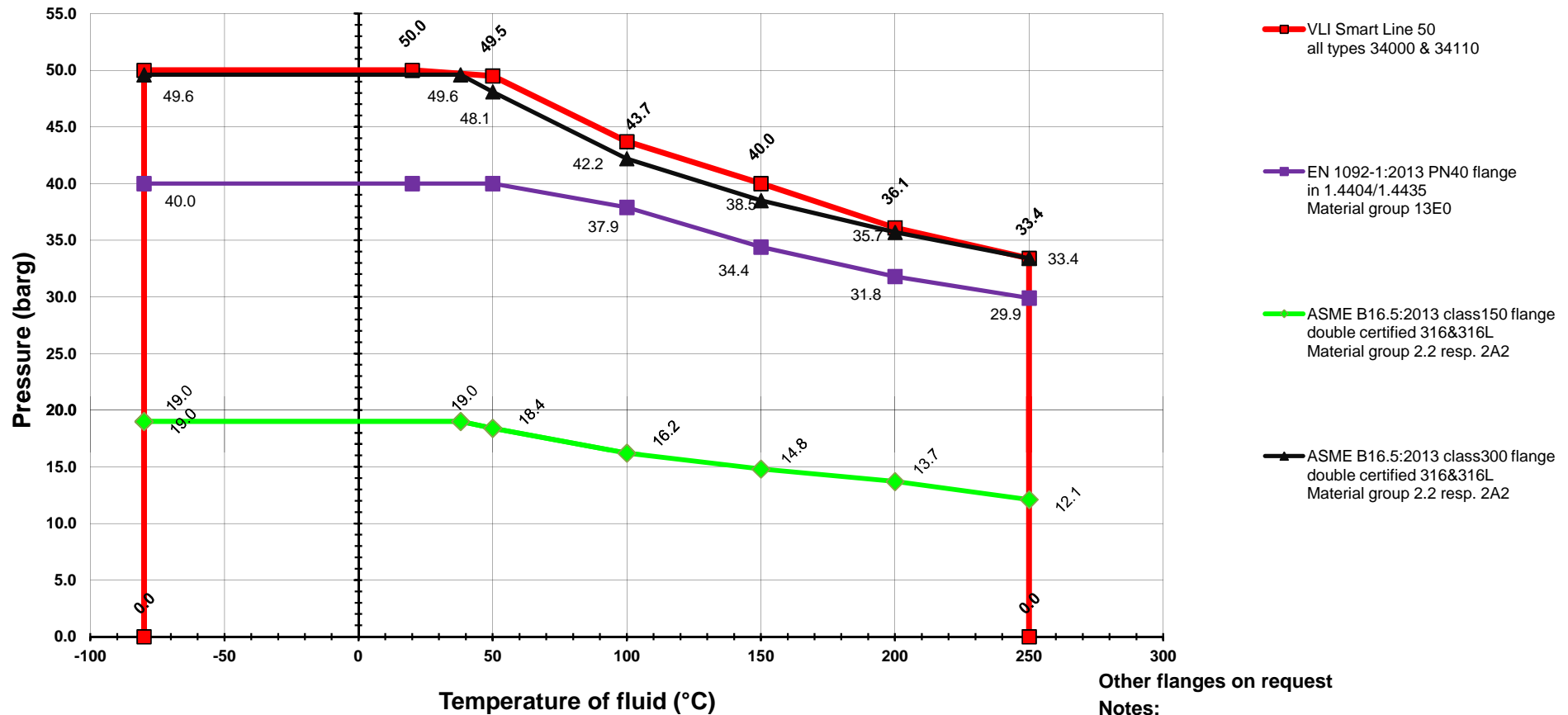
EN10204:2004-3.1: main pressure-bearing parts according to PED	<input type="checkbox"/>
--	--------------------------

Special Executions & Additional Notes

<input type="text"/>

Pressure-temperature-rating for VLI Smart Line 50, type 34000 & 34110

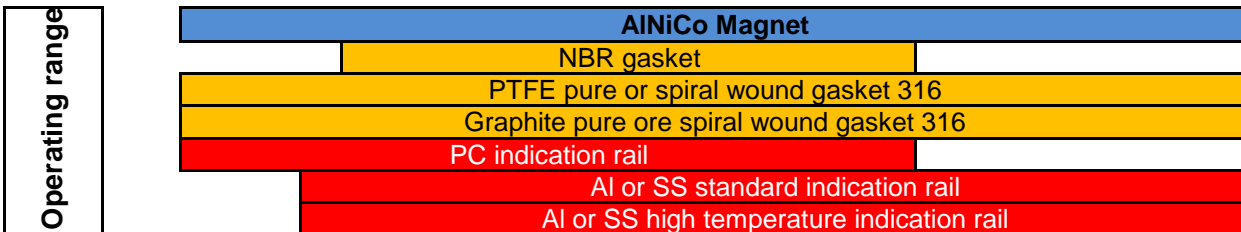
Max. 50bar(g) @ 20°C, up to max. 250°C for VLI bypass float chamber in SS EN 1.4401, 1.4436 / 1.4404, 1.4435 resp. A NSI 316/316L



Other flanges on request

Notes:

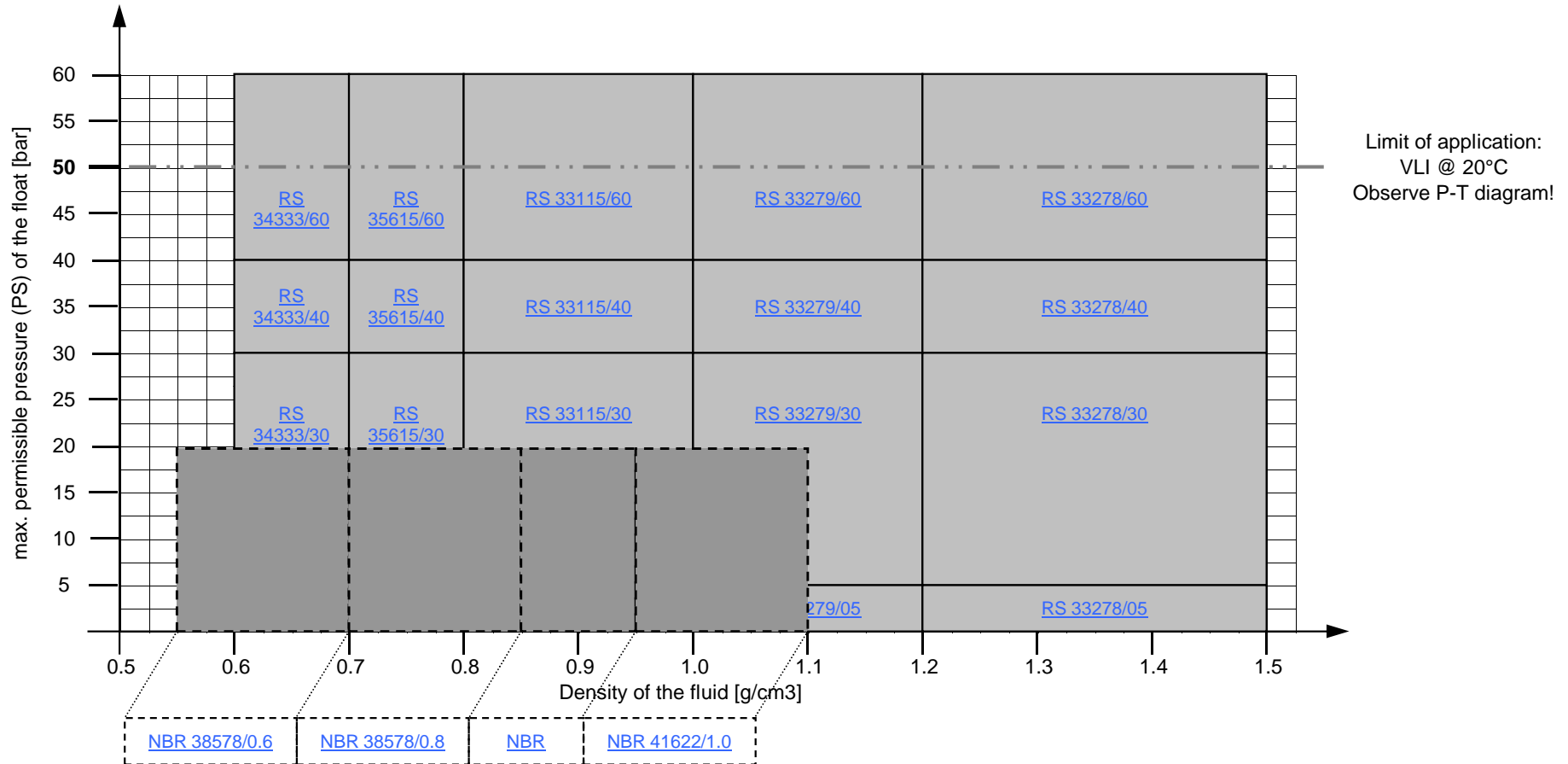
- EN1092-1:2013 flange PN10 and PN16 up to DN150 use identical interface dimensions
- EN1092-1:2013 flange PN25 and PN40 up to DN150 use identical interface dimensions
- Tolerated max. pressure @ specified temperature of the VLI is given either by the bypass tube or by the connection flange
- Lower value sets the limitation! ---



Float selection diagram VLI Type 34000/34110, Smart Line 50

These data apply for an operating temperature of m20°C.

For higher operating temperatures, please check the max. permissible float pressure on the respective data sheet.



Comments:

NBR = foamed plastic float

example: 38578/X.X = Density range of the floats in g/cm³

Material = NBR

Attention! Check media compatibility

RS = cylindrical float

example: 31115/XX = max. permissible pressure in bar @ 20°C

Material = 316L

Interior diameter of the float chamber = 29.7mm

Additional charge for densities < 0.8g/cm³ and > 1.50g/cm³ due to extended length of bottom float run-out

Mounting

Normal: Valid is the indicated switching function on the type label (float below switch)
Installation 180 °C opposite of the indication rail with the permitted tolerance according to the tube diameter
Cable exit downwards

Variation: Each of the following variants leads to a reversion of the indicated switching logic:
Mounting with cable exit upwards
Mounting adjacent to the indication rail

